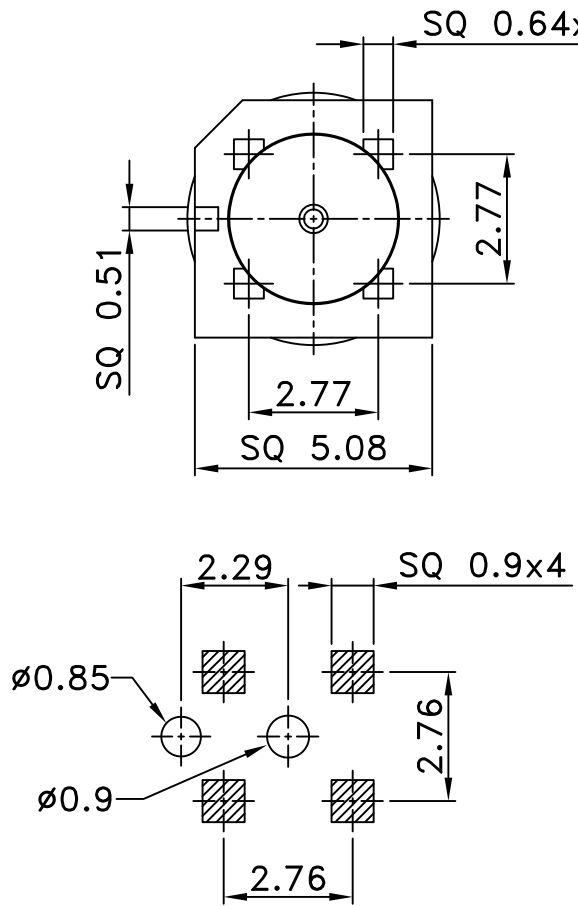
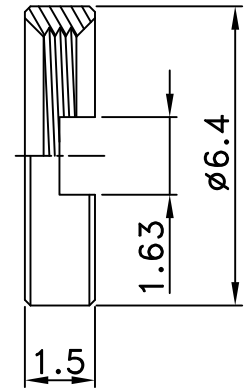
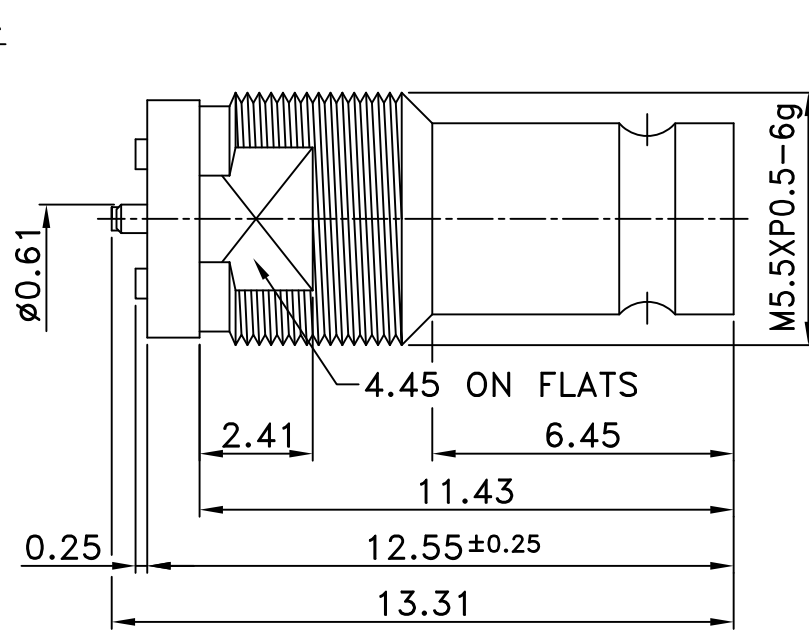


EDITION	DESCRIPTION	DRAWN	DATE



RECOMMENDED MOUNTING PATTERN



NOTES:FINISH(PLATING THICKNESS IN MICRO-INCHES)  
1.GOLD PL. 3 MIN THICK OVER NICKEL PL. 80~130 MIN THICK  
2.NICKEL PL. 100~150 MIN THICK OVER COPPER STRIKE



ChoiceRight Electronic Inc

TOLERANCES  
DIMENSIONS ARE IN MILLIMETER

UNLESS OTHERWISE NOTED TOLERANCES  
0.5-6=±0.2  
6-30=±0.4  
30-120=±0.6  
120-315=±1.0  
ANGLES=±1°

TITLE	CHECKED
1.0/2.3 P.C. BOARD MOUNT JACK	J. Lin
Edit Code.	DRAWER
123FS006017500-1	Eddie

FILE NO.E:	EDITION: A	DATE03/25/14	SCALE	6/1	UNIT	MM
------------	------------	--------------	-------	-----	------	----

4	NUT	1	BRASS	NOTE 2
3	INSULATOR	1	PTFE	NATURAL
2	PIN	1	BECU	NOTE 1
1	BODY	1	BRASS	NOTE 1
NO	DESCRIPTION	Q'TY	MATERIAL	FINISH