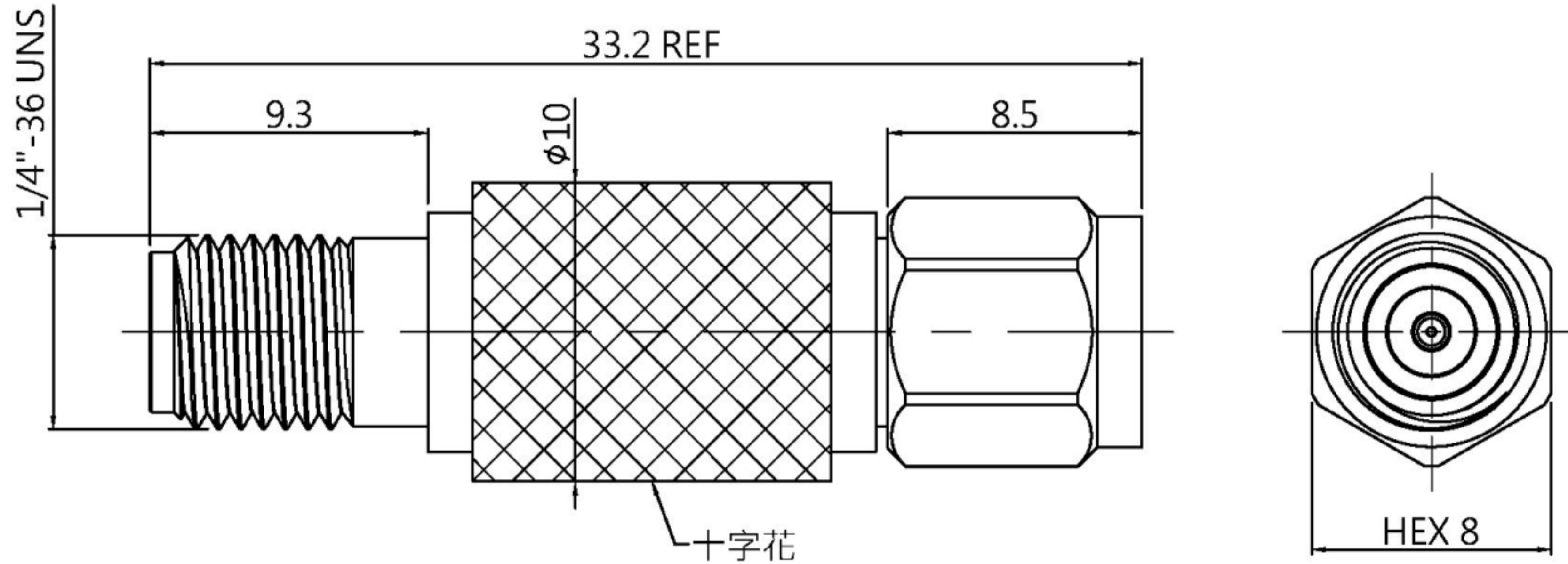


EDITION	DESCRIPTION	DRAWN	DATE



7	C RING	1	STAINLESS STEEL	--
6	SHELL	1	STAINLESS STEEL	PASSIVATED
5	INSULATOR	1	PEI	NATURAL
4	PIN	1	BeCu	GOLD
3	BODY	1	BRASS	GOLD
2	BODY	1	STAINLESS STEEL	PASSIVATED
1	BODY	1	BRASS	GOLD
NO	DESCRIPTION	Q'TY	MATERIAL	FINISH



ChoiceRight Electronic Inc

TITLE
ADAPTOR, 2.92mm(m)-(f)

CHECKED
J. Lin

EdIt Code.
292MS292FADP015000-1

DRAWER
Eddie

FILE NO. E:

EDITION: A

DATE 11/15/16

SCALE

1/1

UNIT

MM

TOLERANCES

DIMENSIONS ARE IN MILLIMETER

UNLESS OTHERWISE SPECIFIED

0-6 = ±0.08

6-30 = ±0.1

30-120 = ±0.2

120-300 = ±0.3

300-600 = ±0.4

600-1200 = ±0.5

十字花

HEX 8