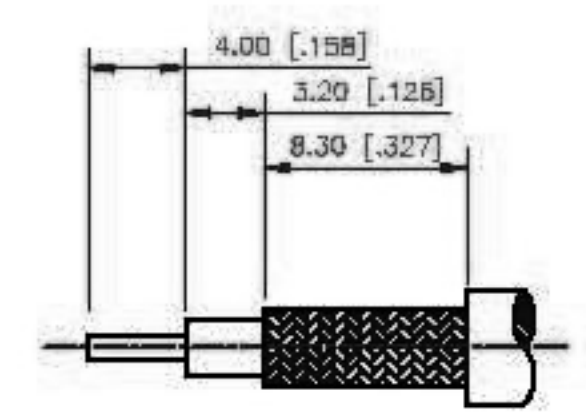
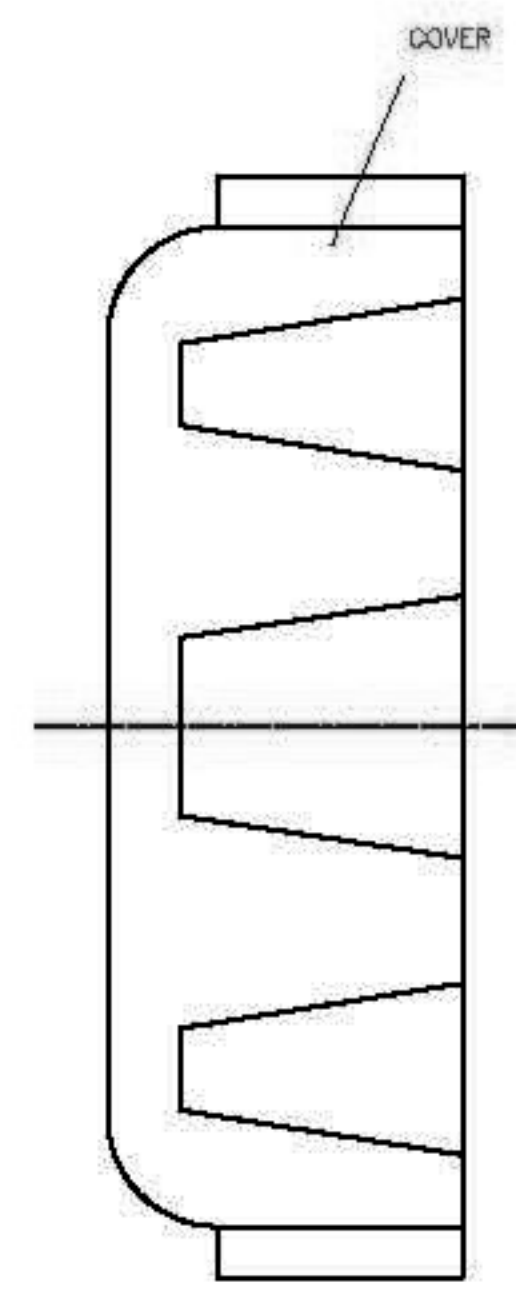


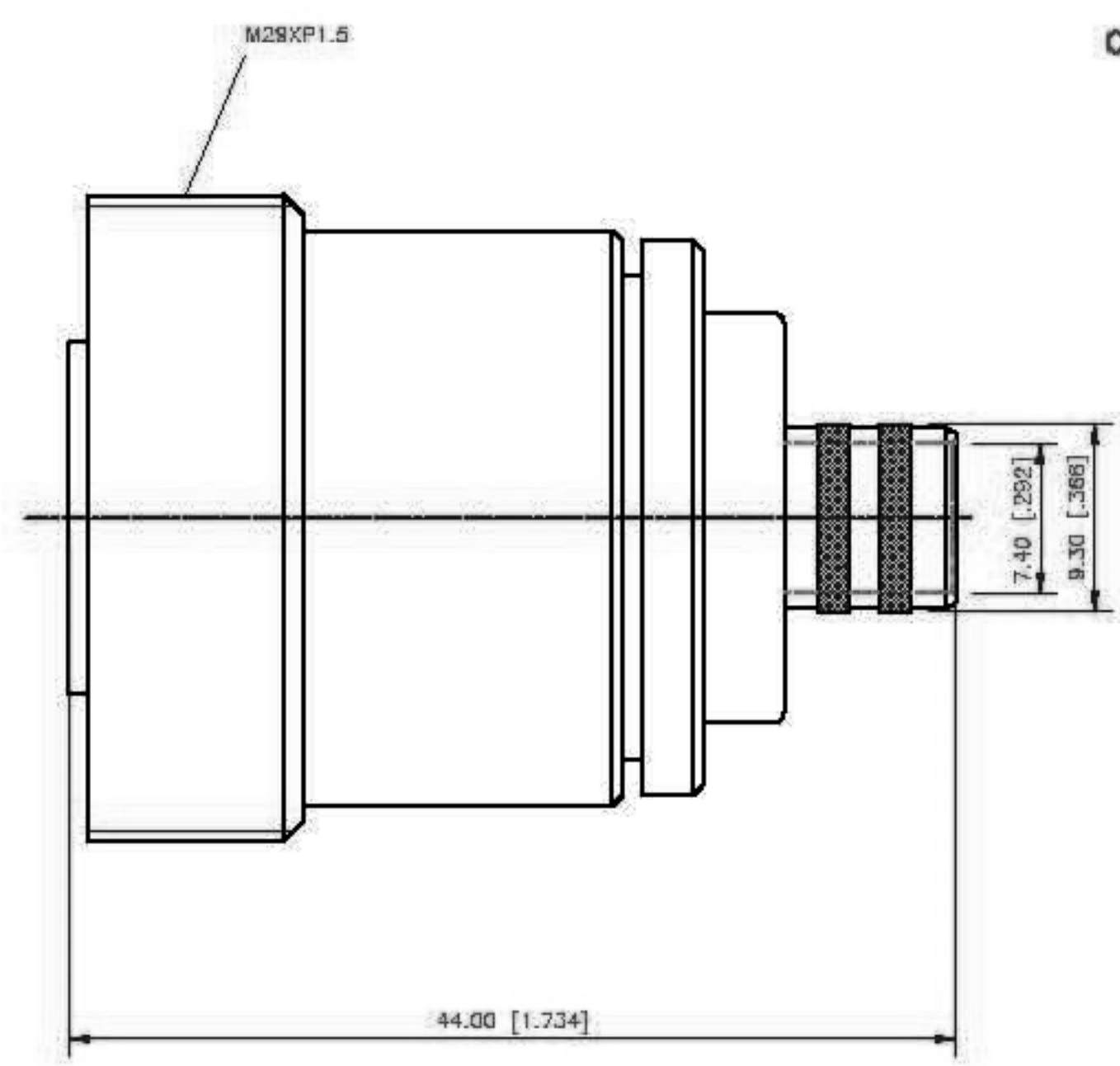
EDITION	DESCRIPTION	DRAWN	DATE
NO	INITIAL RELEASE		05/08/09
A	UPDATE DRAWING FORMAT, ADD CRIMP NOTES		05/08/09



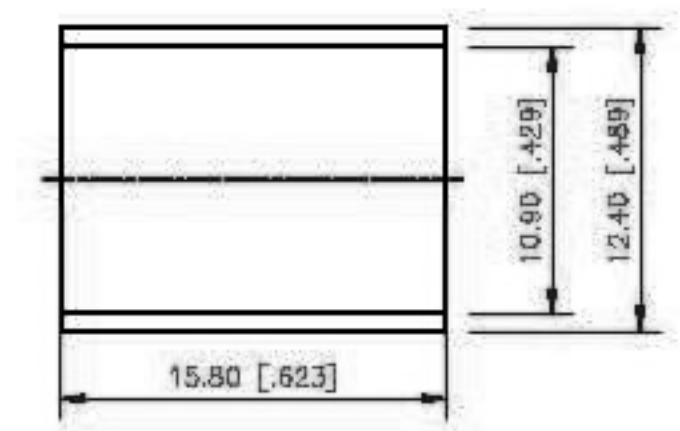
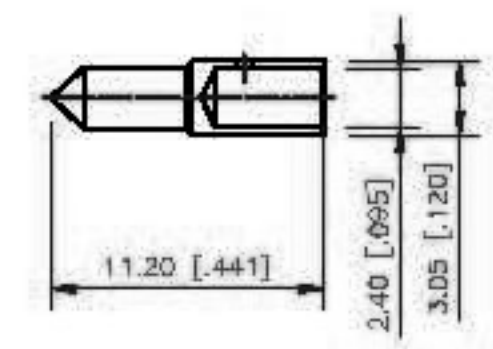
RECOMMENDED  
CABLE STRIPPING DIM'S



COVER



M29XP1.5



- NOTE:
1. CRIMPED FERRULE HEX CRIMP SIZE .420 [10.66]
  2. CONTACT PIN TO SOLDER

**ChoiceRight Electronic Inc**

1/8" CRIMP AND  
3/32" TO 1/8" SINGLE WIRE

DATE: 716FS0010165000-1

FILE NO. 2

DESIGNED BY: J. Lin

DRAWN BY: Eddie

REVISION A DATE 02/11/09

SCALE: NA UNIT: MM

**TOLERANCES**  
DIMENSIONS ARE IN MILLIMETER

UNLESS OTHERWISE SPECIFIED:  
FRACTIONS: .125 - .001  
DECIMALS: .125 - .001  
HOLE: .125 - .001

NO	Description	Qty	Material	Finish
7	COVER	1	P.E.	BLUE
6	FERRULE	1	COPPER	NEXCOTE
5	GASKET	1	SILICONE	BLUE
4	CONTACT PIN	1	SEL. COPPER	RED
3	INSULATOR	1	PTFE	NATURAL
2	BARREL	1	BRASS	NEXCOTE
1	BODY	1	BRASS	NEXCOTE