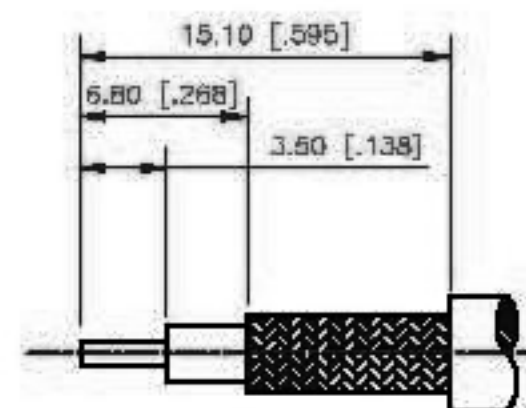
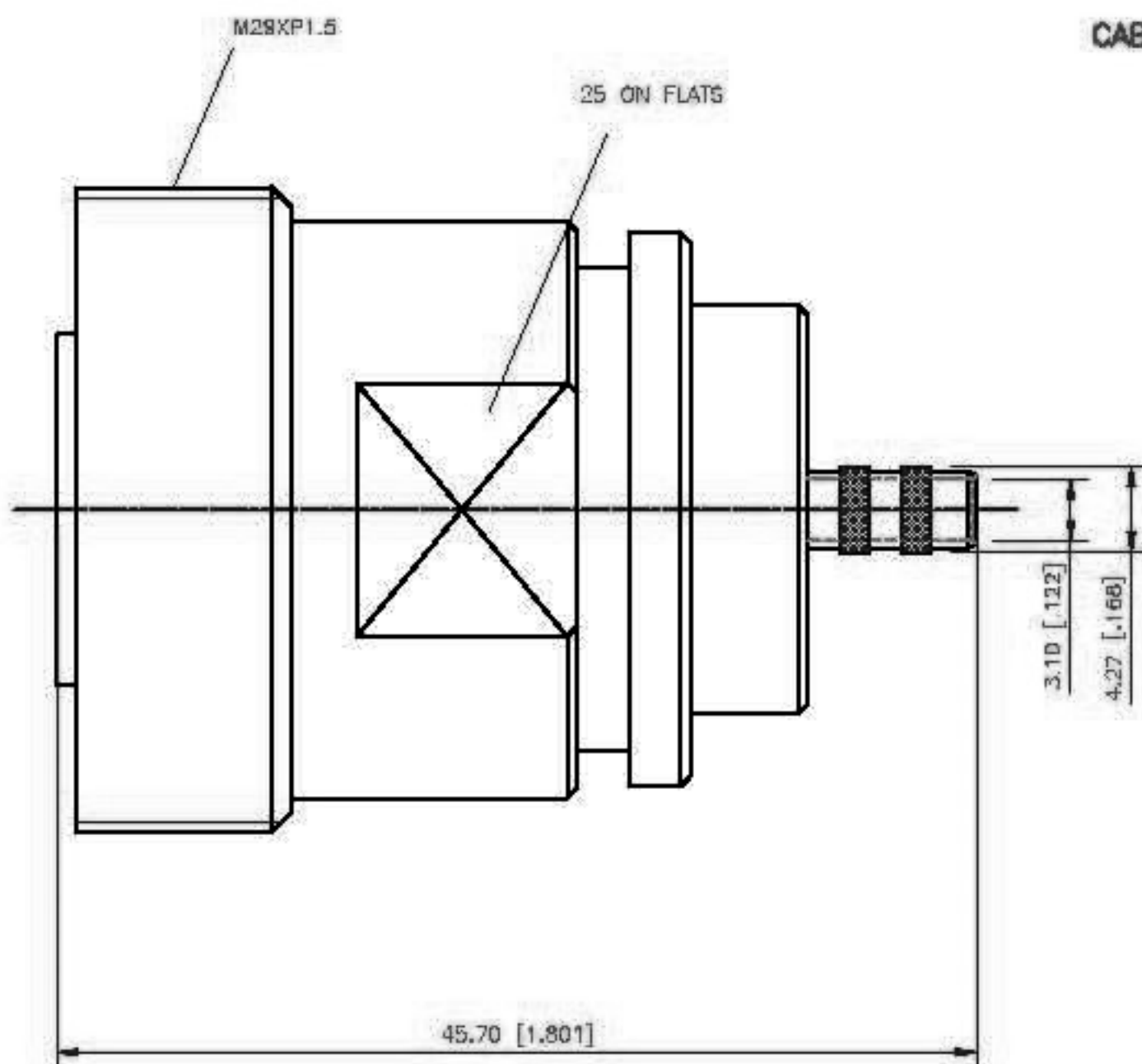
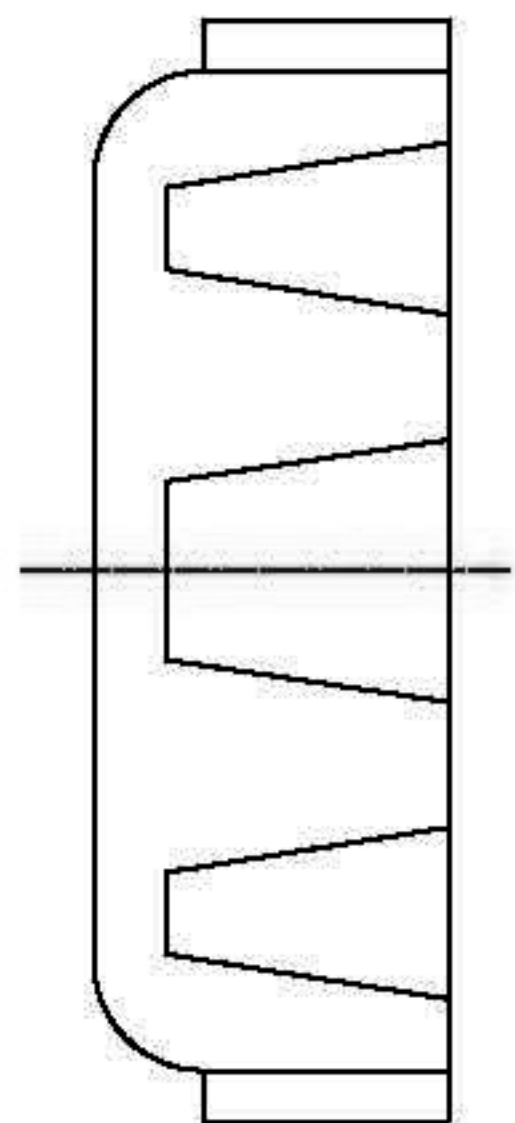
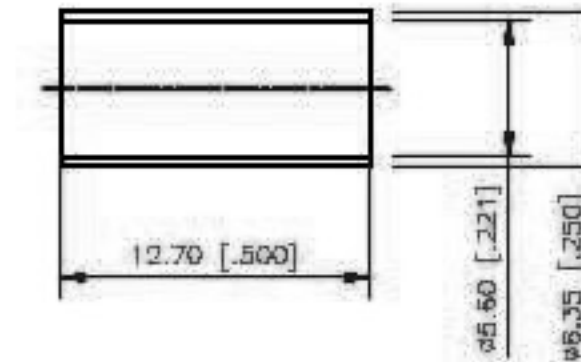
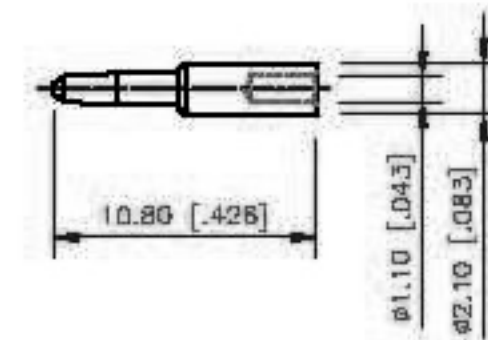


EDITION	DESCRIPTION	DRAWN	DATE
NO	INITIAL RELEASE		08/18/99
A	UPDATE DRAWING FORMAT		12/28/05



RECOMMENDED
CABLE STRIPPING DIM'S



NOTE:

1. CRIMPED FERRULE HEX CRIMP SIZE .213"
2. CRIMPED FERRULE HEX CRIMP SIZE .088"
OR CONTACT PIN TO SOLDER

ChoiceRight Electronic Inc

DATE: 12/28/05
 FILE NO: 716FS00101K5000-1

DESIGNED BY: J. Lin
 DRAWN BY: Eddie

TOLERANCES UNLESS OTHERWISE SPECIFIED IN MILLIMETER					
FRAMES	±.015	±.010	±.005	±.002	±.001
HOLES	±.015	±.010	±.005	±.002	±.001
PLATES	±.015	±.010	±.005	±.002	±.001
ROUNDS	±.015	±.010	±.005	±.002	±.001
ANGLES	±.015	±.010	±.005	±.002	±.001
TEETH	±.015	±.010	±.005	±.002	±.001
SPACES	±.015	±.010	±.005	±.002	±.001
KEYWAYS	±.015	±.010	±.005	±.002	±.001
KEYS	±.015	±.010	±.005	±.002	±.001
HOLES	±.015	±.010	±.005	±.002	±.001
ROUNDS	±.015	±.010	±.005	±.002	±.001
ANGLES	±.015	±.010	±.005	±.002	±.001
TEETH	±.015	±.010	±.005	±.002	±.001
SPACES	±.015	±.010	±.005	±.002	±.001
KEYWAYS	±.015	±.010	±.005	±.002	±.001
KEYS	±.015	±.010	±.005	±.002	±.001

NO	Description	Qty	Material	Finish
5	COVER	1	P.E.	BLUE
4	FERRULE	1	BRASS	NEXCOTE
3	CONTACT PIN	1	BRASS	SILVER
2	INSULATOR	1	TEFLON	NATURAL
1	BODY	1	BRASS	NEXCOTE