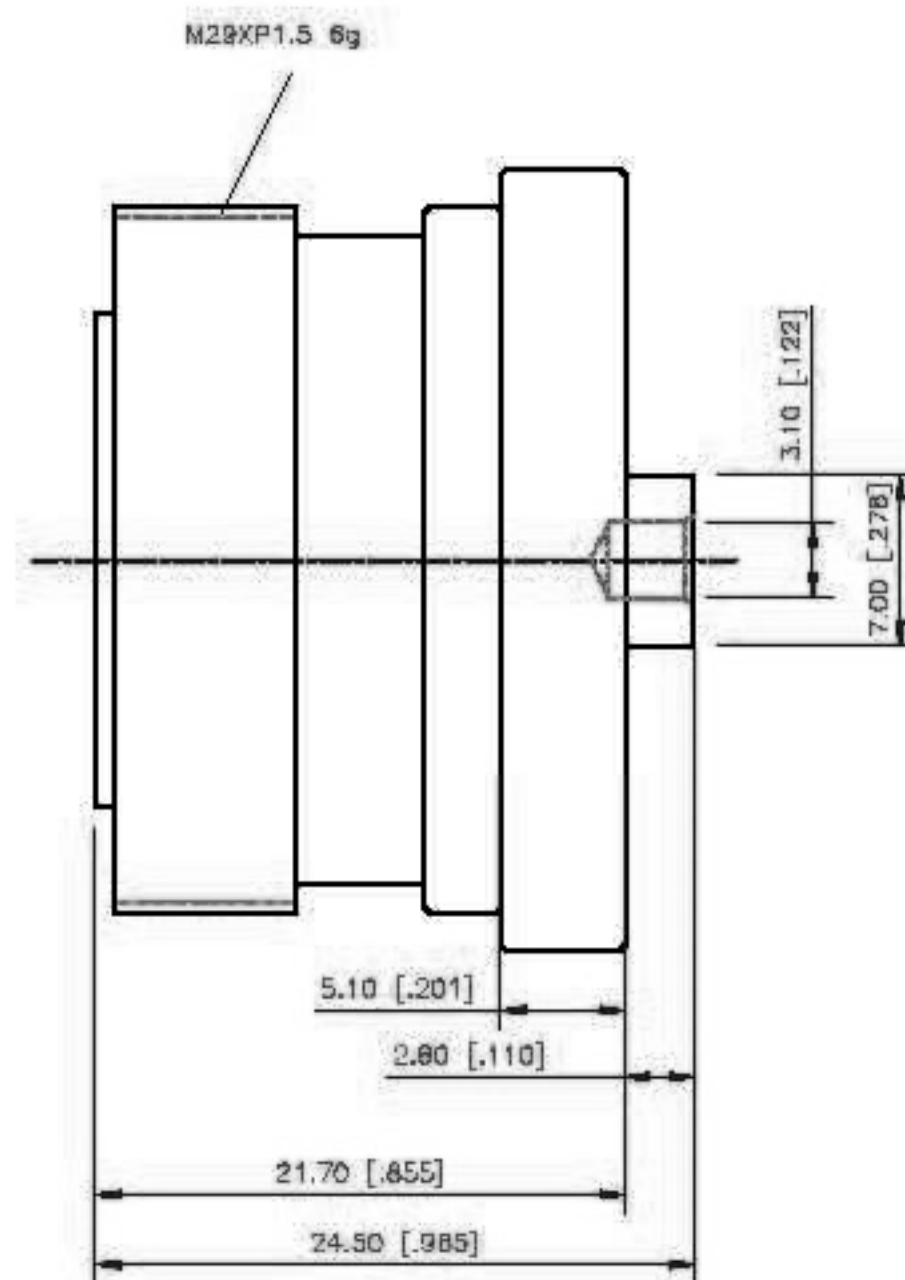
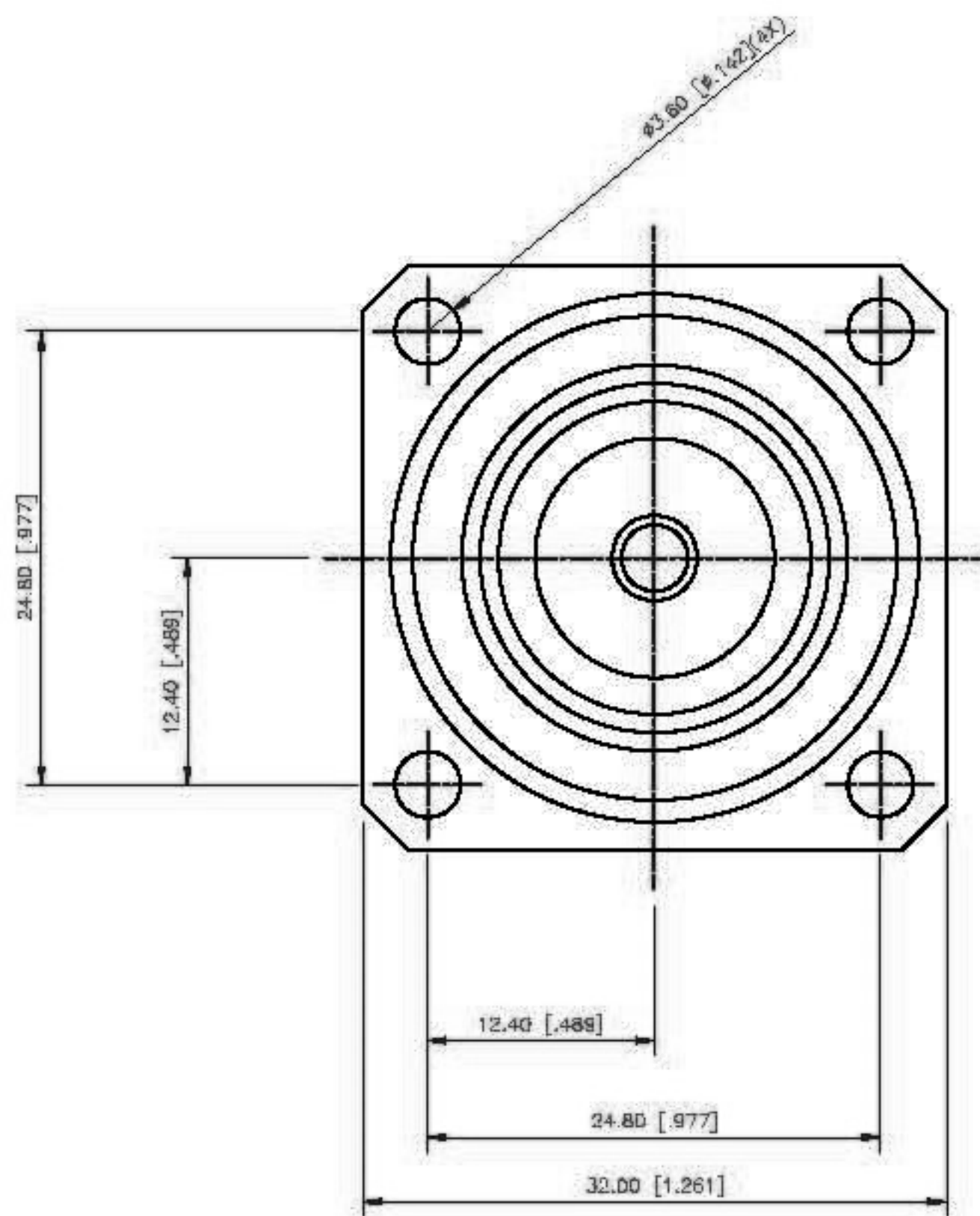


EDITION	DESCRIPTION	DRAWN	DATE
NO	INITIAL RELEASE		03/18/00
A	UPDATE DRAWING FORMAT		07/20/08



ChoiceRight Electronic Inc

TITLE: 716FS000015000-1
 DATE CODE: 716FS000015000-1
 FILE NO. 716FS000015000-1

DESIGNED BY: J. Lin
 DRAWN BY: Eddle
 REVISION A DATE 08/03/08

TOLERANCES					
DIMENSIONS ARE IN MILLIMETER					
FRAMES	±0.10	±0.15	±0.20	±0.25	±0.30
HOLES	±0.05	±0.08	±0.10	±0.15	±0.20
PLACES	±0.05	±0.08	±0.10	±0.15	±0.20
ANGLES	±0.5°	±1.0°	±1.5°	±2.0°	±3.0°
CHAMFERS	±0.10	±0.15	±0.20	±0.25	±0.30
THREADS	±0.05	±0.08	±0.10	±0.15	±0.20
ROUNDED	±0.10	±0.15	±0.20	±0.25	±0.30
SPACINGS	±0.10	±0.15	±0.20	±0.25	±0.30
LOCATIONS	±0.10	±0.15	±0.20	±0.25	±0.30
FINISHES	±0.10	±0.15	±0.20	±0.25	±0.30
OTHER	±0.10	±0.15	±0.20	±0.25	±0.30

NO	Description	Qty	Material	Finish
5	COVER	1	FE	GALE
4	FERRULE	1	COPPER	HEXCOTE
3	CONTACT PIN	1	BEL. COPPER	SILVER
2	INSULATOR	1	TEFLON	NATURAL
1	BODY	1	BRASS	HEXCOTE
NO	Description	Qty	Material	Finish