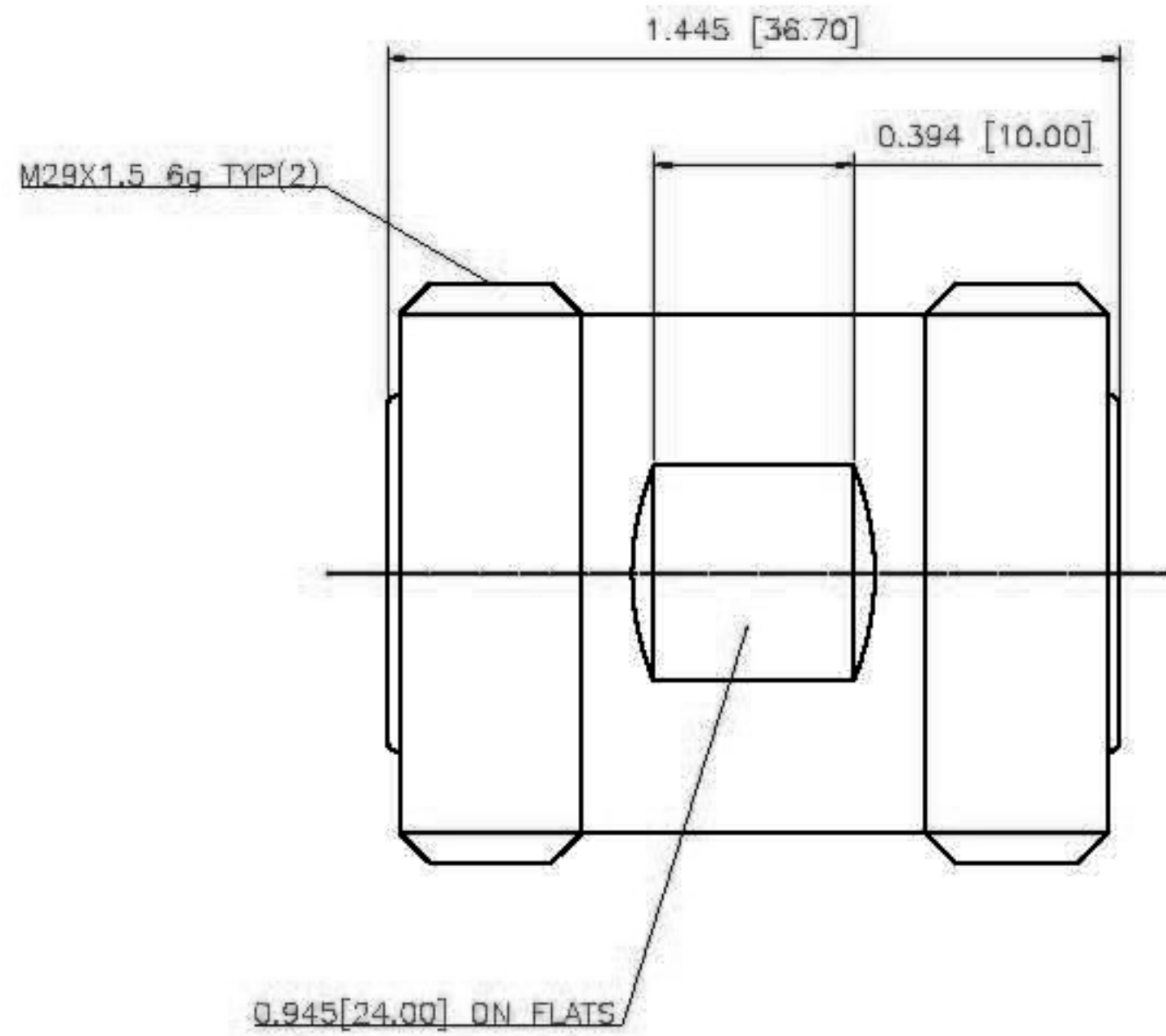


EDITION	DESCRIPTION	DRAWN	DATE
	RELEASE TO MGF		01/10/12



TOLERANCES					
DIMENSIONS ARE IN MILLIMETER					
UNLESS OTHERWISE SPECIFIED TOLERANCES FOR INCHES ARE 2 PLACE DECIMAL ±.015 (0.381mm) 3 PLACE DECIMAL ±.005 (0.127mm) ANGLES ±1°					

TITLE 7/16 FEMALE TO FEMALE ADAPTER.LOW PIM	CHECKED J. Lin
Edit Code. 716FS716FADP5000-1	DRAWER Eddie
FILE NO. C:	EDITION: A DATE 01/10/12
SCALE	NA UNIT MM

NO	Description	Qty	Material	Finish
3	INNER CONDUCTOR	1	SPRING COPPER	GOLD
2	INSULATOR	1	PTFE	NATURAL
1	OUTER CONDUCTOR	1	BRASS	WHITE BRONZE