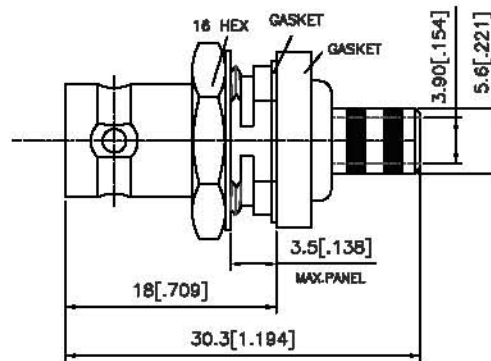
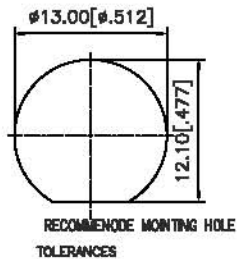
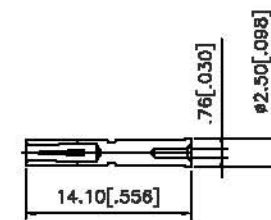
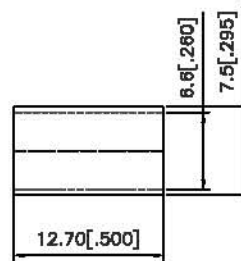
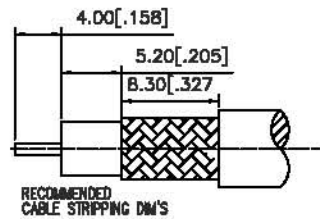


EDITION	DESCRIPTION	DRAWN	DATE
	INITIAL RELEASE		04/17/00
	UPDATE DRAWING FORMAT		11/02/05



TOLERANCES			
DIMENSIONS ARE IN MILLIMETER			
UNLESS OTHERWISE SPECIFIED TOLERANCES FOR INCHES ARE			
0.5-8mm=±0.2			
6-30mm=±0.1			
30-120mm=±0.6			
120-315=±1			
315-1000=±1.6			
1000-2000=±2.4			

TITLE BNC BULKHEAD CRIMP JACK (FOR RG-59/U CABLE)	CHECKED J. Lin
Edit Code. BNCFS00108G7500-1	DRAWER Eddie
FILE NO. C:	EDITION: A DATE 11/02/05

NO	DESCRIPTION	Qty	Material	Finish
7	FERRULE	1	COPPER	NICKEL
6	HEX NUT	1	BRASS	NICKEL
5	LOCK WASHING	1	BRASS	NICKEL
4	GASKET	1	RUBBLE	RED
3	CONTACT PIN	1	PHOSPHOR BRONZE	GOLD
2	INSULATOR	1	TEFLON	NATURAL
1	BODY	1	BRASS	Nickel
NO	CONTACT PIN	Qty	Material	Finish