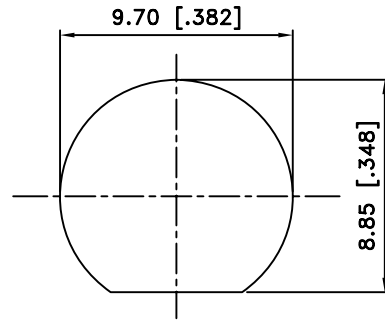
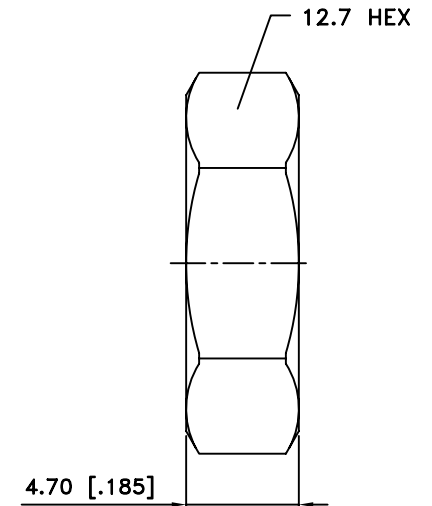
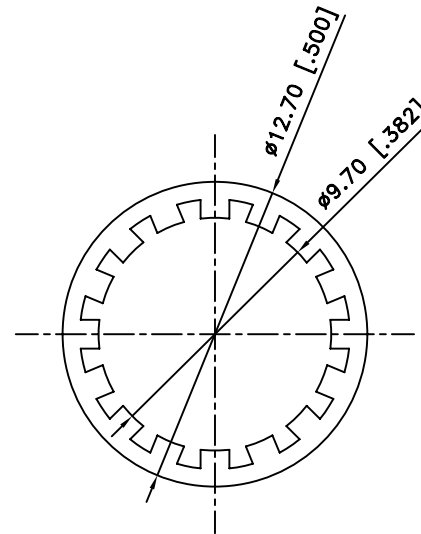
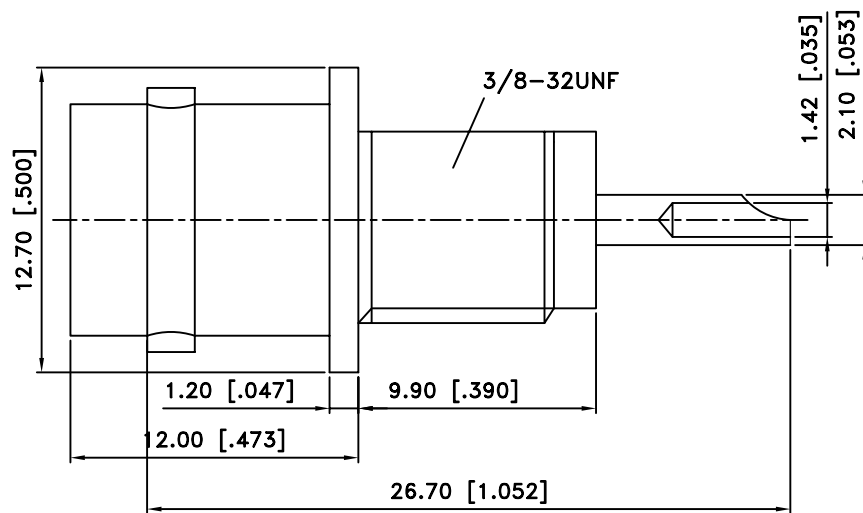


EDITION	DESCRIPTION	DRAWN	DATE
	UPDATE DRAWING FORMAT		11/19/03



RECOMMENDED  
MOUNTING HOLE



NOTES:

1. MAX. PANEL THICKNESS = 3.2mm
2. RECOMMENDED TORQUE: A MAXIMUM 12 INCH-LBS MAY BE APPLIED ON HEX NUT WHEN MOUNTING CONNEXTOR IN PANEL



TOLERANCES

DIMENSIONS ARE IN MILLIMETER

UNLESS OTHERWISE SPECIFIED ARE IN MILLIMETERS  
DIMENSIONS IN [ ] ARE IN INCH AND FOR CUSTOMER  
REFERENCE ONLY

UNLESS OTHERWISE SPECIFIED TOLERANCES FOR  
MILLIMETER ARE:

0.5 - 8mm ± 0.20mm  
8 - 30mm ± 0.40mm  
30 - 120mm ± 0.50mm

UNLESS OTHERWISE SPECIFIED TOLERANCES FOR  
INCHS ARE:

.020 - .315 ± 0.007"  
.315 - 1.180 ± 0.015"  
1.180 - 4.724 ± 0.030"

TITLE BNC BULKHEAD RECEPTACLE JACK  
ISOLATED JACK - 50ohm

CHECKED J. Lin

Edit Code.  
BNCFS019015000-1

DRAWER  
Eddie

FILE NO. D:\

EDITION: B DATE 11/19/03 SCALE NA UNIT MM

5	HEX NUT	1	BRASS	NICKEL
4	LOCK WASHER	1	BRASS	NICKEL
3	CONTACT PIN	1	PHOS. BRONZE	GOLD
2	INSULATOR	1	TEFLON	NATURAL
1	BODY	1	BRASS	NICKEL
NO	Description	Q'ty	Material	Finish