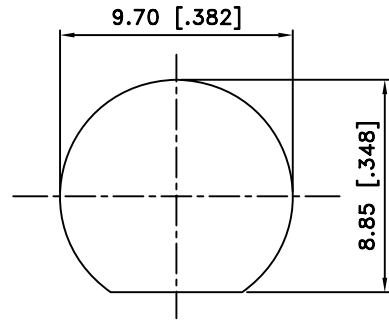
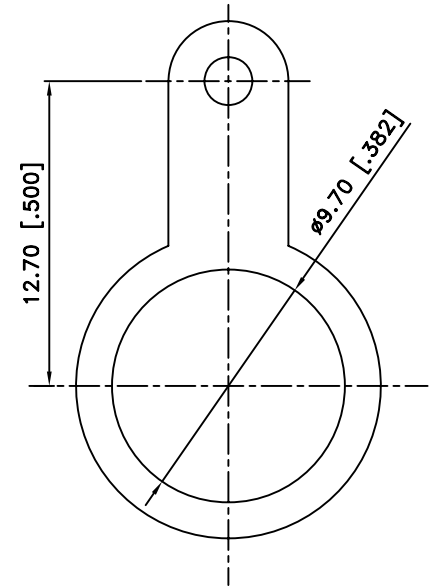
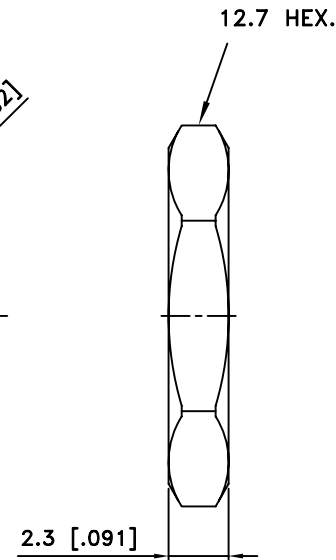
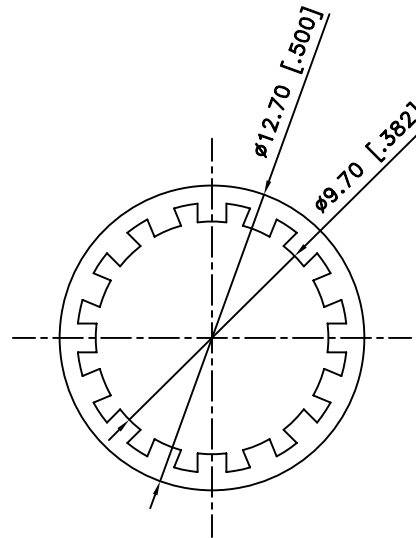
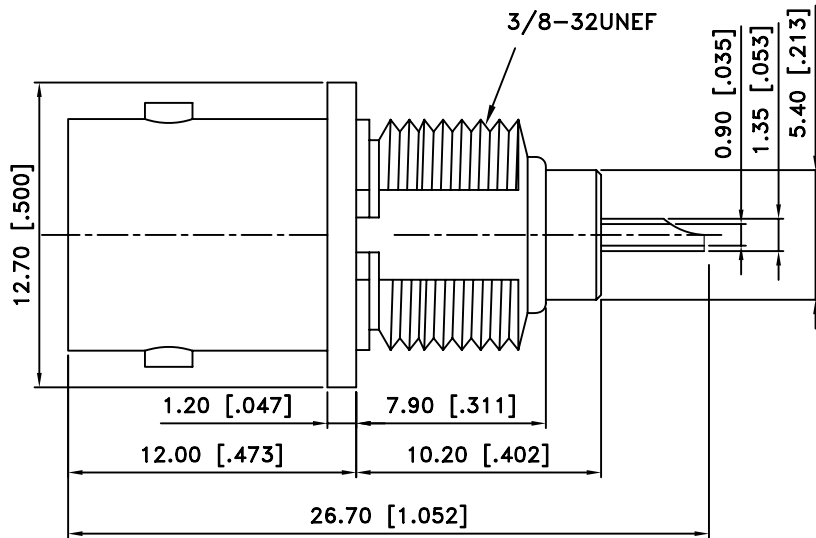


EDITION	DESCRIPTION	DRAWN	DATE
	INITIAL RELEASE		03/21/03



RECOMMENDED
MOUNTING HOLE



Amphenol P/N:112425



TITLE
BNC BULKHEAD RECEPTACLE - 75 ohms

CHECKED
J. Lin

Edit Code.
BNCFBS019027500-1

DRAWER
Eddie

FILE NO. D:\ EDITION: B DATE 03/21/03 SCALE NA UNIT MM

TOLERANCES

DIMENSIONS ARE IN MILLIMETER

UNLESS OTHERWISE SPECIFIED ARE IN MILLIMETERS
DIMENSIONS IN [] ARE IN INCH AND FOR CUSTOMER
REFERENCE ONLY.

UNLESS OTHERWISE SPECIFIED TOLERANCES FOR
MILLIMETER ARE:

0.5 - 8mm ± 0.20mm
8 - 30mm ± 0.40mm
30 - 120mm ± 0.50mm

UNLESS OTHERWISE SPECIFIED TOLERANCES FOR
INCH ARE:

.020 - .315 = ± 0.007"
.315 - 1.180 = ± 0.015"
1.180 - 4.724 = ± 0.030"

6	SOLDER TAG	1	BRASS	NICKEL
5	HEX NUT	1	BRASS	NICKEL
4	LOCK WASHER	1	BRASS	NICKEL
3	CONTACT PIN	1	PHOS. BRONZE	GOLD
2	INSULATOR	1	DELTRIN	NATURAL
1	BODY	1	BRASS	NICKEL
NO	Description	Q'ty	Material	Finish