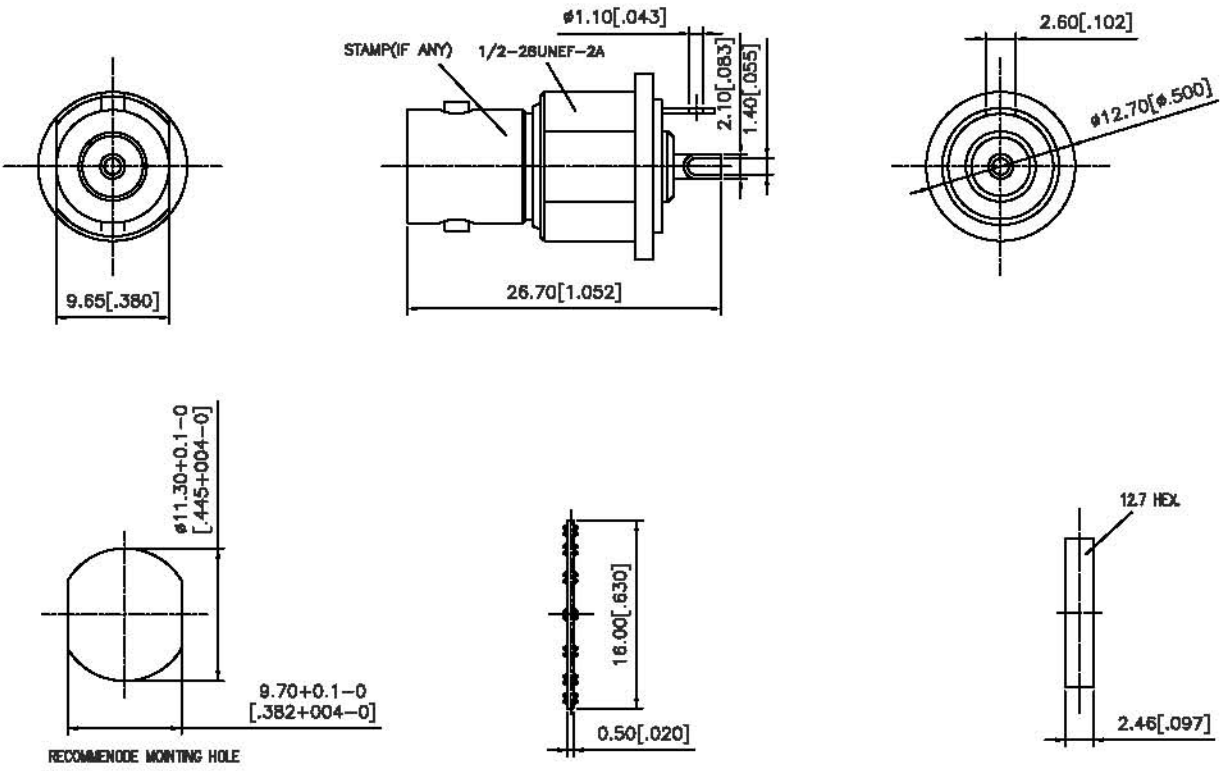


EDITION	DESCRIPTION	DRAWN	DATE
	INITIAL RELEASE		10/19/10



TITLE BNC 75 OHM ISOLATED BULKHEAD RECEPT.JACK,HIGH PERFORMANCE

CHECKED J. Lin

Edit Code. BNCFBS019077500-1

DRAWER Eddie

TOLERANCES
DIMENSIONS ARE IN MILLIMETER

UNLESS OTHERWISE SPECIFIED
TOLERANCES FOR INCHES ARE
0.5-8mm±0.2mm
8-30mm±0.1mm
30-120mm±0.08mm
UNLESS OTHERWISE SPECIFIED
TOLERANCES FOR INCHES ARE
.020-.315=±0.007"
.315-1.180=±0.015"
1.180-4.724=0.020"

FILE NO. C:	EDITION: A	DATE 10/19/10	SCALE	NA	UNIT	MM
-------------	------------	---------------	-------	----	------	----

8	HEX NUT	1	BRASS	NICKEL
7	LOCK WASHER	1	BRASS	NICKEL
6	HOUSING	1	BRASS	NICKEL
5	CONTACT PIN	1	PHOSPHOR BRONZE	GOLD
4	INSULATOR	1	PTFE	NATURAL
3	INTSULATOR	1	PRFE	GOLD
2	CONTACT PIN	1	PHOSPHOR BRONZE	GOLD
1	BODY	1	BRASS	Nickel
NO	Description	Qty	Material	Finish