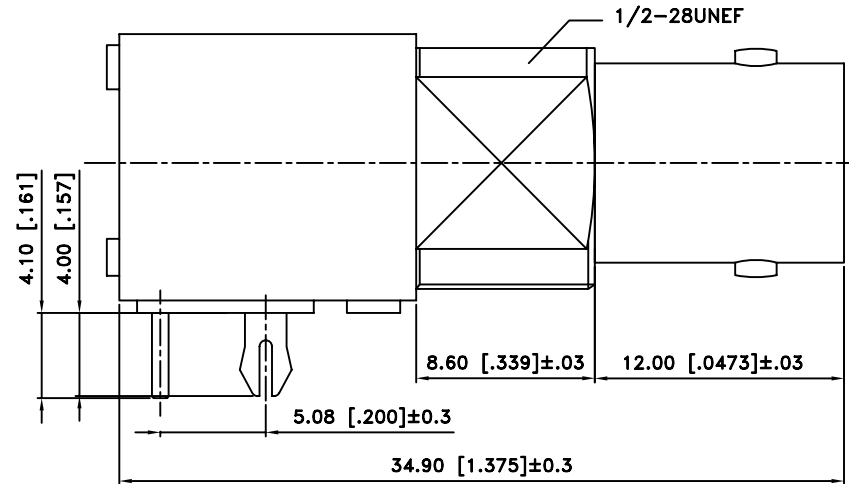
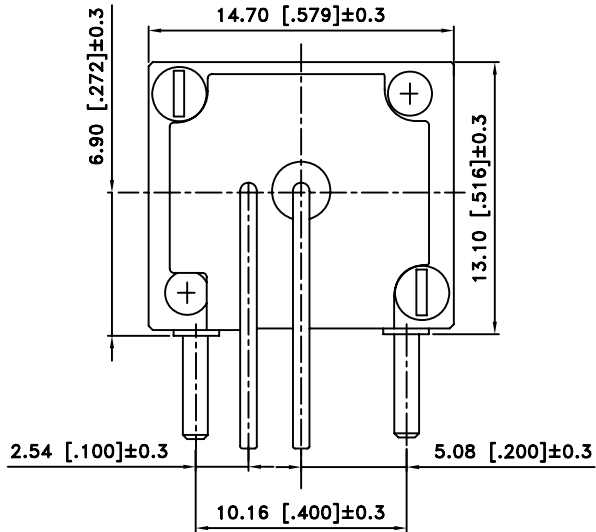
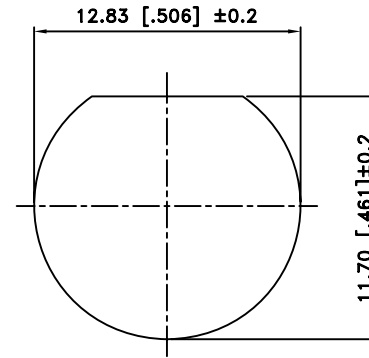
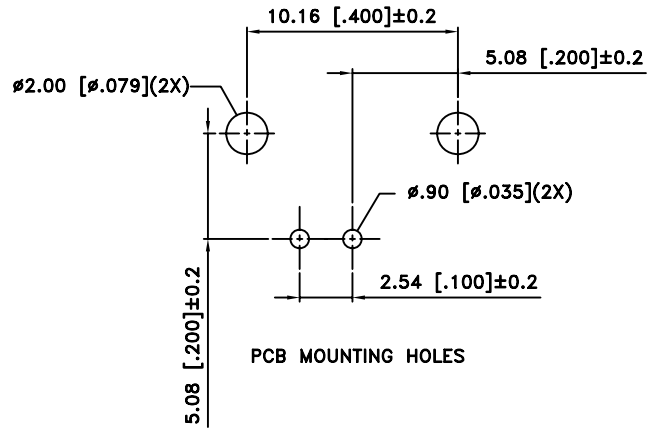


EDITION	DESCRIPTION	DRAWN	DATE
	MODIFY BODY DIMENSIONS		09/11/03
	REVISE MOUNTING PINS ADD FLAT TO THREADED AREA		03/30/08
	HARDWARES REMOVED		02/25/10



NOTES:  
1. MAX. PANEL THICKNESS = 5mm



ChoiceRight Electronic Inc

TOLERANCES

DIMENSIONS ARE IN MILLIMETER

UNLESS OTHERWISE SPECIFIED ARE IN MILLIMETERS  
DIMENSIONS IN [ ] ARE IN INCH AND FOR CUSTOMER  
REFERENCE ONLY.

UNLESS OTHERWISE SPECIFIED TOLERANCES FOR  
MILLIMETER ARE:

0.5 - 3mm ± 0.25mm

3 - 30mm ± 0.40mm

30 - 150mm ± 0.50mm

UNLESS OTHERWISE SPECIFIED TOLERANCES FOR  
INCH ARE:

.050 - .218 ± 0.007"

.218 - 1.180 ± 0.015"

1.180 - 4.724 ± 0.030"

TITLE BNC R/A PC MOUNT RECEPT. JACK  
(LOW PROFILE)

CHECKED J. Lin

Edt Code BNCFR003017500-1

DRAWER Eddie

FILE NO. D:\

EDITION: B DATE 02/25/10

SCALE NA UNIT MM

NO	Description	Q'ty	Material	Finish
5	MOUNTING POST	1	BRASS	TIN PLATE
4	POST	1	CPPER	TIN PLATE
3	CONTACT PIN	1	PHOS BRONZE	GOLD
2	INSULATOR	1	P.P.	NATURAL
1	BODY	1	ZING DIECAST	NICKEL