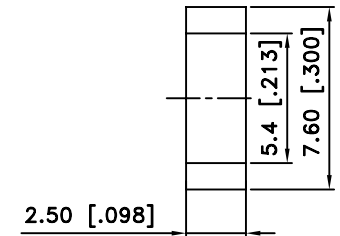
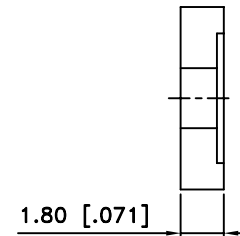
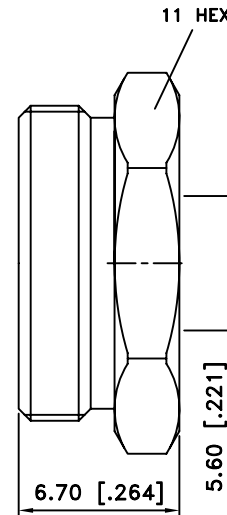
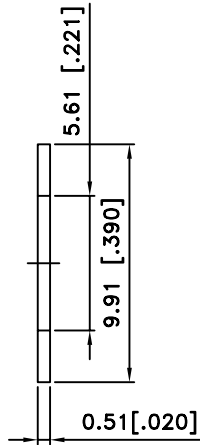
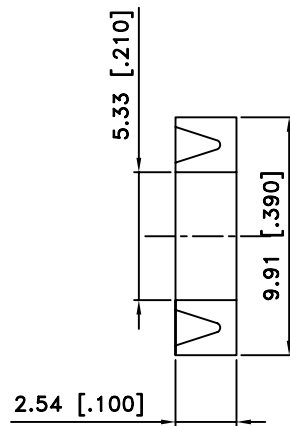
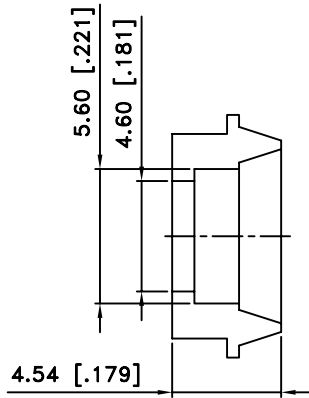
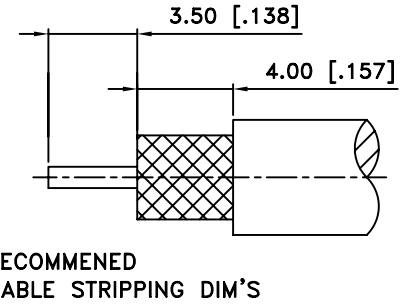
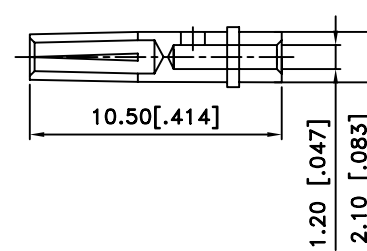
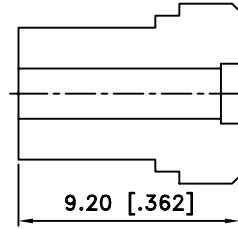
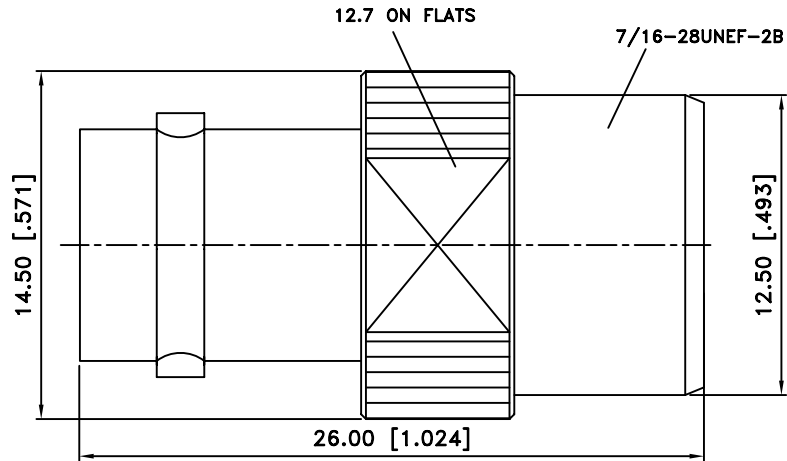


EDITION	DESCRIPTION	DRAWN	DATE
	INITIAL RELEASE		07/19/05



TITLE BNC CRIMP JACK  
(FOR RG-58C/U, 58/U, 142/U, 223/U)

EdIt Code. BNCFS00205F5000-1

CHECKED J. Lin

DRAWER Eddie

TOLERANCES

DIMENSIONS ARE IN MILLIMETER

UNLESS OTHERWISE SPECIFIED ARE IN MILLIMETERS  
DIMENSIONS IN [ ] ARE IN INCH AND FOR CUSTOMER  
REFERENCE ONLY.

UNLESS OTHERWISE SPECIFIED TOLERANCES FOR  
MILLIMETER ARE:

0.5 - 8mm ± 0.20mm  
8 - 30mm ± 0.40mm  
30 - 120mm ± 0.50mm

UNLESS OTHERWISE SPECIFIED TOLERANCES FOR  
INCHS ARE:

.020 - .315 = ± 0.007"  
.315 - 1.180 = ± 0.015"  
1.180 - 4.724 = ± 0.030"

FILE NO. D:\	EDITION: B	DATE 10/30/05	SCALE	NA	UNIT	MM
--------------	------------	---------------	-------	----	------	----

9	HEX NUT	1	BRASS	NICKEL
8	WASHER	1	BRASS	NICKEL
7	GASKET	1	SILICONE	RED
6	BRAID CLAMP	1	BRASS	NICKEL
5	RING	1	BRASS	NICKEL
4	INSULATOR	1	TEFLON	NATURAL
3	CONTACT PIN	1	PHOS.BRONZE	GOLD
2	INSULATOR	1	TEFLON	NATURAL
1	BODY	1	BRASS	NICKEL
NO	Description	Q'ty	Material	Finish