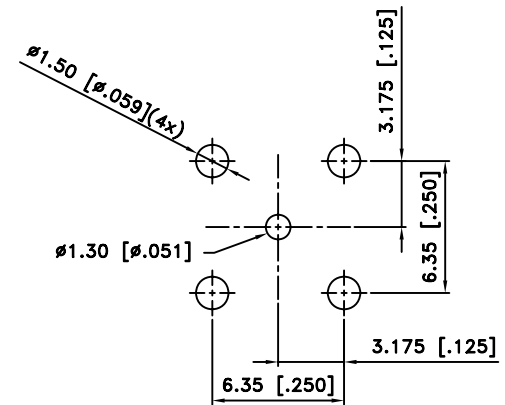
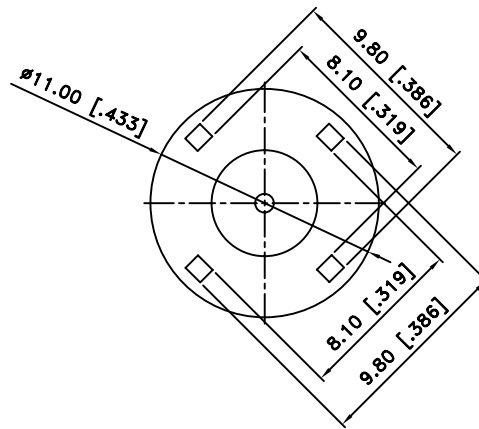
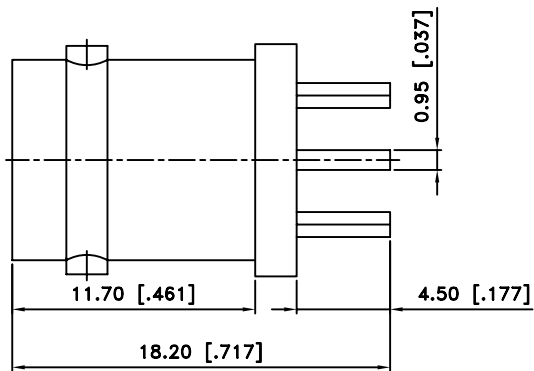


EDITION	DESCRIPTION	DRAWN	DATE
	UPDATE DRAWING FORMAT		01/06/03



PCB MOUNTING HOLES



ChoiceRight Electronic Inc

TOLERANCES			
DIMENSIONS ARE IN MILLIMETER			
UNLESS OTHERWISE SPECIFIED ARE IN MILLIMETERS			
DIMENSIONS IN [] ARE IN INCH AND FOR CUSTOMER REFERENCE ONLY.			
UNLESS OTHERWISE SPECIFIED TOLERANCES FOR MILLIMETER ARE:			
0.5	0.5 - 4mm	± 0.20mm	
0.5	4 - 30mm	± 0.40mm	
0.5	30 - 150mm	± 0.50mm	
UNLESS OTHERWISE SPECIFIED TOLERANCES FOR INCH ARE:			
.050	.010 - .315	± 0.0075"	
.315	.315 - 1.180	± 0.015"	
1.180	1.180 - 4.724	± 0.030"	
SCALE	NA	UNIT	MM

TITLE	BNC P.C. MOUNT RECEPT JACK 50 ohm TF-4 POST	CHECKED	J. Lin
Edt Code	BNCFS003025000-1	DRAWER	Eddie
FILE NO. D:\	EDITION: B	DATE	01/06/03

NO	Description	Q'ty	Material	Finish
4	LOCK RING	1	BRASS	NICKEL
3	CONTACT PIN	1	PHOS.BRONZE	GOLD
2	INSULATOR	1	TEFLON	NATURAL
1	BODY	1	BRASS	NICKEL