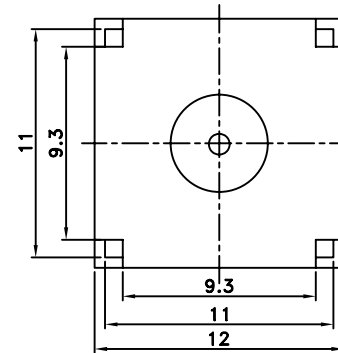
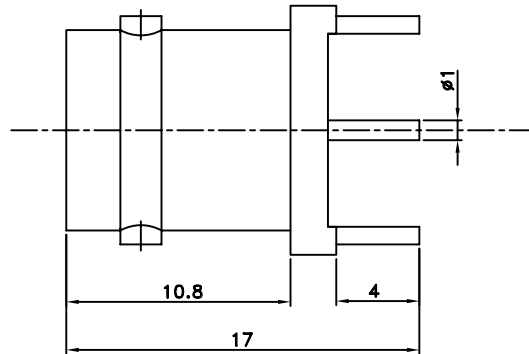


EDITION	DESCRIPTION	DRAWN	DATE
	CHANGE CONTACT MATERIAL		07/14/97



ChoiceRight Electronic Inc

**TOLERANCES**

DIMENSIONS ARE IN MILLIMETER

UNLESS OTHERWISE SPECIFIED  
TOLERANCES ARE:

- 0.5 - 3 = ± 0.2
- 3 - 30 = ± 0.4
- 30 - 120 = ± 0.6
- 120 - 315 = ± 1
- 315 - 1000 = ± 1.6
- 1000 - 2000 = ± 2.4

<b>TITLE</b> BNC P.C.B. MOUNT RECEPTACLE	<b>CHECKED</b> J. Lin
<b>Edt Code</b> BNCFS003185000-1	<b>DRAWER</b> Eddie
<b>FILE NO. D:\</b>	<b>EDITION: B</b> <b>DATE 07/14/97</b>

<b>SCALE</b>	<b>NA</b>	<b>UNIT</b>	<b>MM</b>
--------------	-----------	-------------	-----------

NO	Description	Q'ty	Material	Finish
3	CONTACT PIN	1	PHOS.BRONZE	GOLD
2	INSULATOR	1	TEFLON	NATURAL
1	BODY	1	BRASS	NICKEL