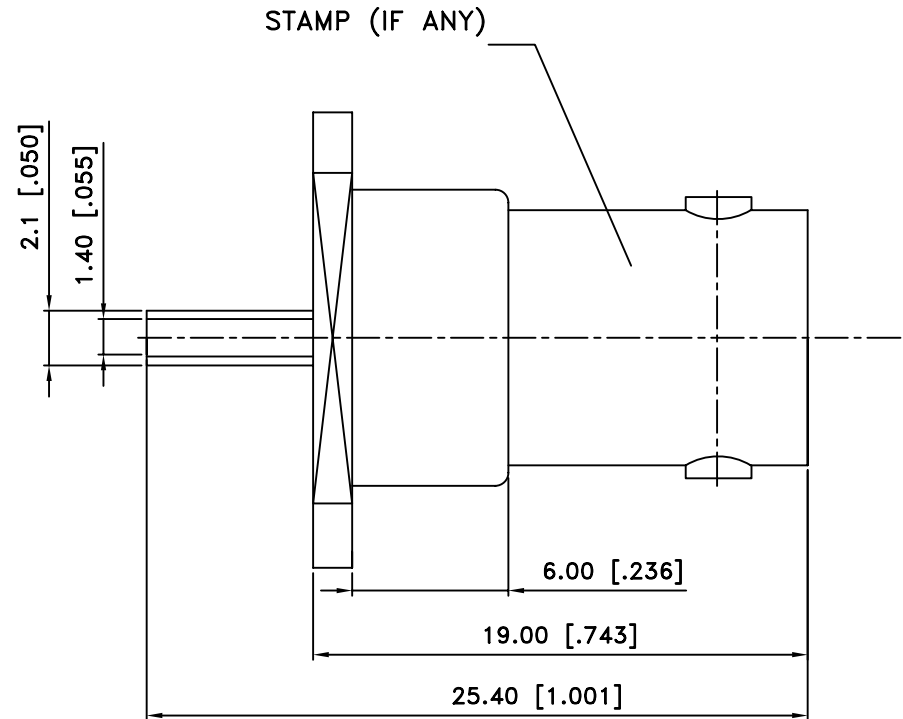
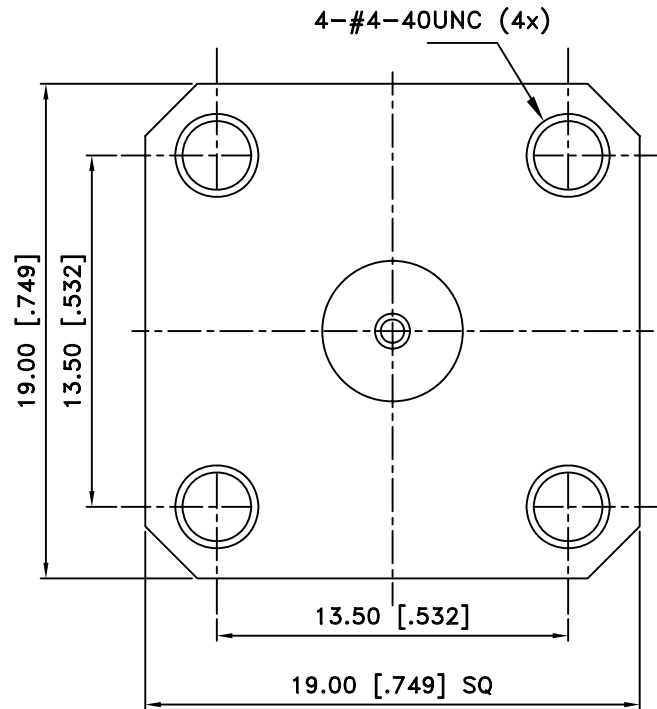


EDITION	DESCRIPTION	DRAWN	DATE
	INITIAL RELEASE		04/04/03



ChoiceRight Electronic Inc

**TOLERANCES**

**DIMENSIONS ARE IN MILLIMETER**

UNLESS OTHERWISE SPECIFIED ARE IN MILLIMETERS  
DIMENSIONS IN [ ] ARE IN INCH AND FOR CUSTOMER REFERENCE ONLY.

UNLESS OTHERWISE SPECIFIED TOLERANCES FOR MILLIMETER ARE:

0.5 - 8mm ± 0.20mm  
9 - 30mm ± 0.40mm  
30 - 120mm ± 0.50mm

UNLESS OTHERWISE SPECIFIED TOLERANCES FOR INCHES ARE:

.020 - .315 = ± 0.007"  
.315 - 1.180 = ± 0.015"  
1.180 - 4.724 = ± 0.020"

TITLE BNC PANEL JACK RECEPT  
FLUSH FLANGE- #4-40 THREADS

CHECKED J. Lin

Edit Code.  
BNCFS009015000-2

DRAWER Eddie

FILE NO.D:\

EDITION: B DATE 07/08/07

SCALE NA UNIT MM

3	CONTACT PIN	1	PHOS.BRONZE	GOLD
2	INSULATOR	1	TEFLON	NATURAL
1	HOUSING/BODY	1	BRASS	NICKEL
NO	Description	Q'ty	Material	Finish