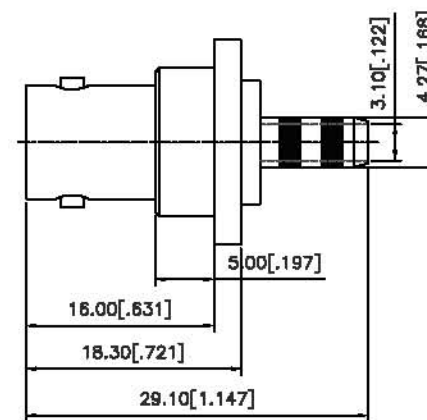
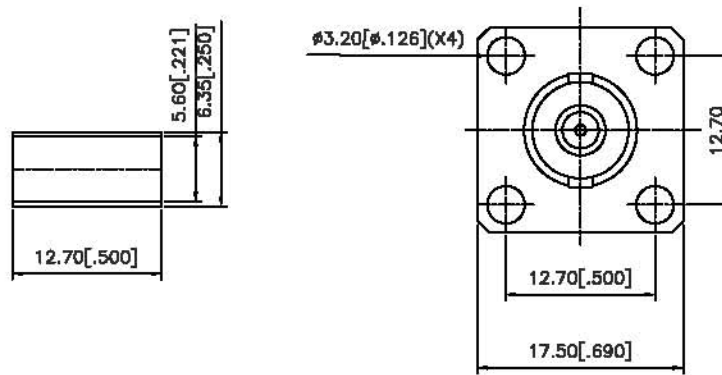
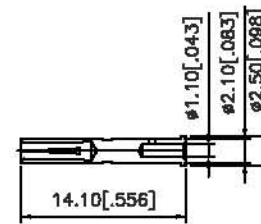
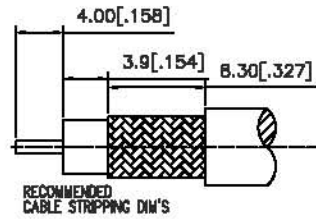


EDITION	DESCRIPTION	DRAWN	DATE
	UPDATE DRAWING FORMAT		07/13/05



- NOTE: 1. CRIMPED FERRULE HEX CRIMP SIZE .187"
 2. CRIMPED CONTACT PIN. HEX CRIMP SIZE .068"
 3. MAX.PANEL THICKNESS = 3.5MM



TITLE BNC PANEL CRIMP JACK
(FOR RG-55/U,142/U,223/1,400/U)

Edit Code. BNCFS01001K5000-1

CHECKED J. Lin

DRAWER Eddie

TOLERANCES

DIMENSIONS ARE IN MILLIMETER

UNLESS OTHERWISE SPECIFIED
 TOLERANCES FOR INCHES ARE
 0.5-8mm±0.2mm
 8-30mm±0.1mm
 30-120mm±0.08mm
 UNLESS OTHERWISE SPECIFIED
 TOLERANCES FOR INCHES ARE
 .020-.315=±0.007"
 .315-1.180=±0.015"
 1.180-4.724=±0.020"

FILE NO. C:

EDITION: A DATE 07/13/05

SCALE NA UNIT MM

NO	Description	Qty	Material	Finish
4	FERRULE	1	COPPER	NICKEL
3	CONTACT PIN	1	PHOS. BRONZE	GOLD
2	INSULATOR	1	TEFLON	NATURAL
1	Body	1	BRASS	Nickel