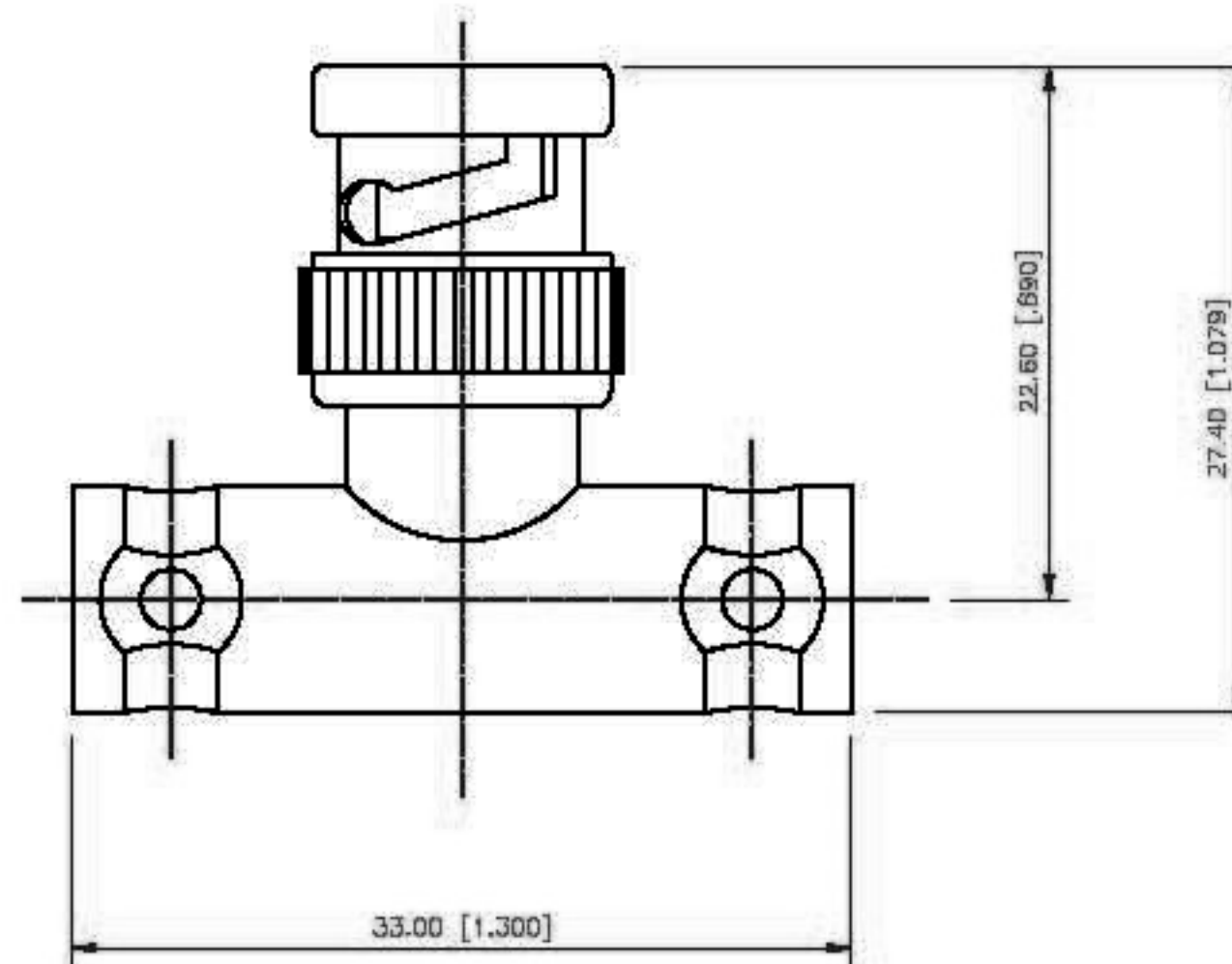


EDITION	DESCRIPTION	DRAWN	DATE
NO	INITIAL RELEASE		08/02/00
A	UPDATE DRAWING FORMAT		03/18/07
B	REVISE BODY MATERIAL TO DIECAST, PLATING TO NICKEL		01/08/08



ChoiceRight Electronic Inc

TITLE: BNC T ADAPTER / 442-PLUS-502
 DATE CODE: BNCMBNCDFADP5000-1

DESIGNED: J. Lin
 DRAWN: Eddie

TOLERANCES					
DIMENSIONS ARE IN MILLIMETER					
0.15 - 0.25	0.25 - 0.50	0.50 - 1.00	1.00 - 2.00	2.00 - 5.00	5.00 - 10.00
±0.05	±0.05	±0.05	±0.05	±0.05	±0.05

REV	DATE	BY	CHK	APP	APP
NO					

NO	Description	Qty	Material	Finish
3	CONTACT PIN	1	BRASS	GOLD
2	INSULATOR	1	DELPHI	NATURAL
1	BODY	1	DIECAST	NICKEL
NO	Description	Qty	Material	Finish