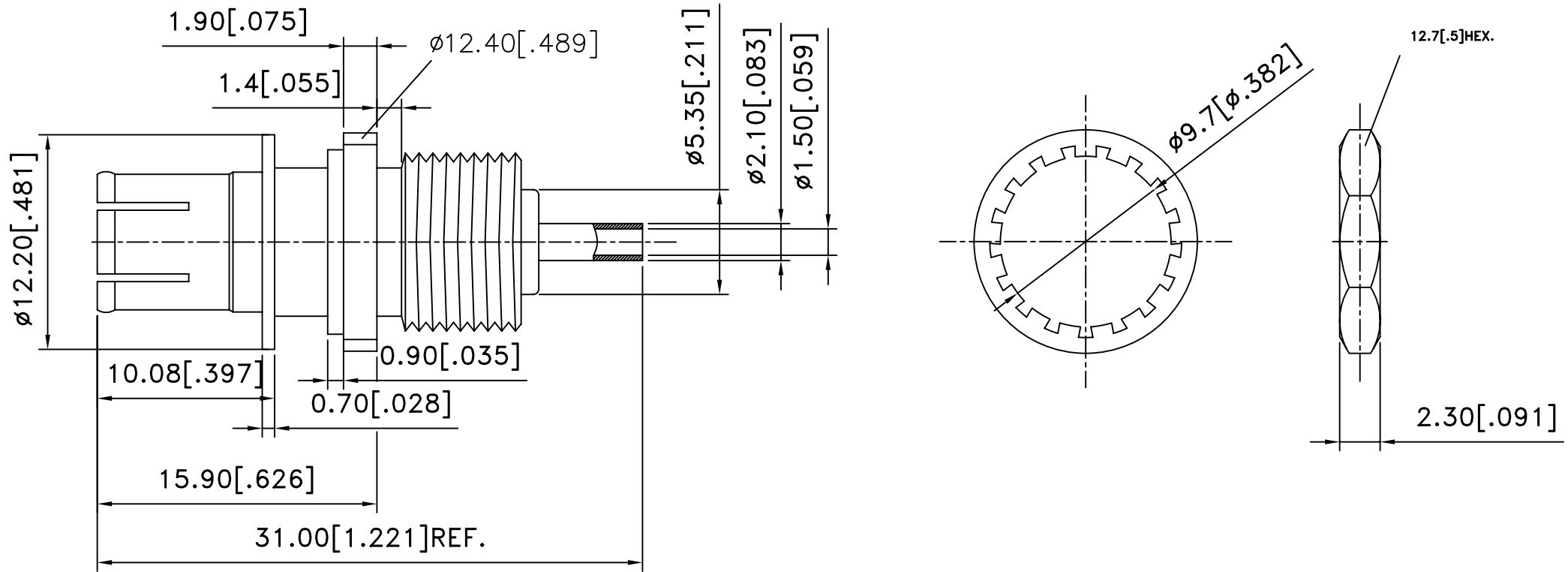


EDITION	DESCRIPTION	DRAWN	DATE
	INITIAL RELEASE		12/31/09
	PART DESCRIPTION WAS CHANGED		01/08/10



ChoiceRight Electronic Inc

TOLERANCES

DIMENSIONS ARE IN MILLIMETER

UNLESS OTHERWISE SPECIFIED
TOLERANCES FOR MILLIMETERS
ARE:
0.5-6=±0.2mm
8-30=±0.40mm
30-120=±0.50mm
.02-.315=±0.007度
.315-1.180=±0.015度
1.180-4.724=±0.020度

TITLE BNC BULKHEAD RECEPT.PLUG-500HMS

CHECKED J. Lin

Edit Code. BNCMBS019085000-1

DRAWER Eddie

FILE NO. C:

EDITION: A DATE 01/08/10

SCALE NA UNIT MM

6	HEX NUT	1	Brass	Nickel
5	LOCK PING	1	Brass	Nickel
4	CONTACT PIN	1	Brass	GOLD
3	INSULATOR	1	PTEF	NATURAL
2	INSULATOR	1	PTEF	NATURAL
1	MAIN Body	1	Brass&BER.COPPER	Nickel
NO	Description	Q'ty	Material	Finish