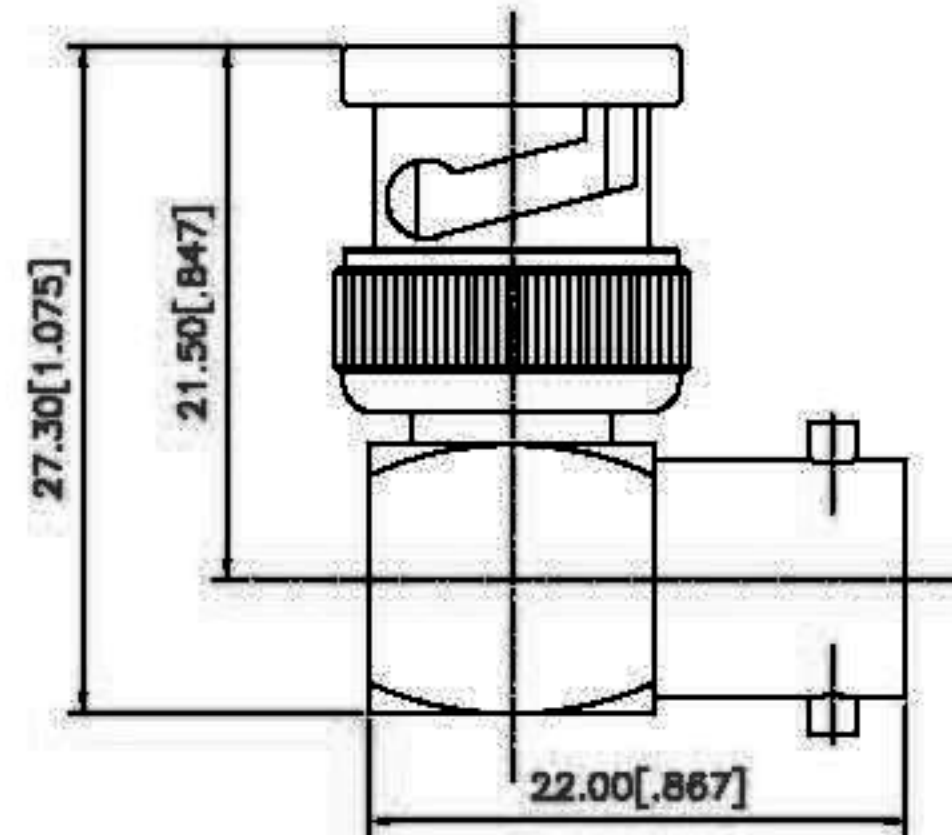


EDITION	DESCRIPTION	DRAWN	DATE
	INITIAL RELEASE		02/21/08



TITLE BNC MALE TO FEMALE R/A ADAPTER

CHECKED J. Lin

EdIt Code: BNCMRBNCFADP5000-1

DRAWER Eddie

FILE NO. C:

EDITION: A DATE 02/21/08

TOLERANCES  
DIMENSIONS ARE IN MILLIMETER

UNLESS OTHERWISE SPECIFIED  
TOLERANCES FOR INCHES ARE  
0.5-8mm±0.2mm  
8-30mm±0.1mm  
30-120mm±0.05mm  
UNLESS OTHERWISE SPECIFIED  
TOLERANCES FOR INCHES ARE  
.020-.315=±0.007"  
.315-1.180=±0.015"  
1.180-4.724=±0.020"

SCALE NA UNIT MM

NO	Description	Q'ty	Material	Finish
4	CONTACT PIN	1	BRASS	GOLD
3	CONTACT PIN	1	PHOS.BRONZE	GOLD
2	INSULATOR	1	DELTRIN	NATURAL
1	Body	1	BRASS	Nickel