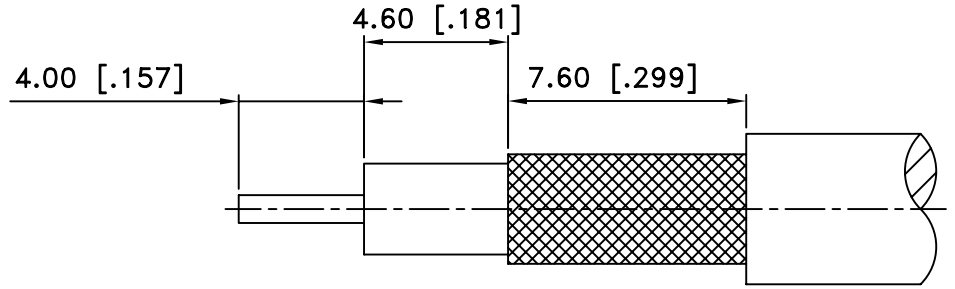
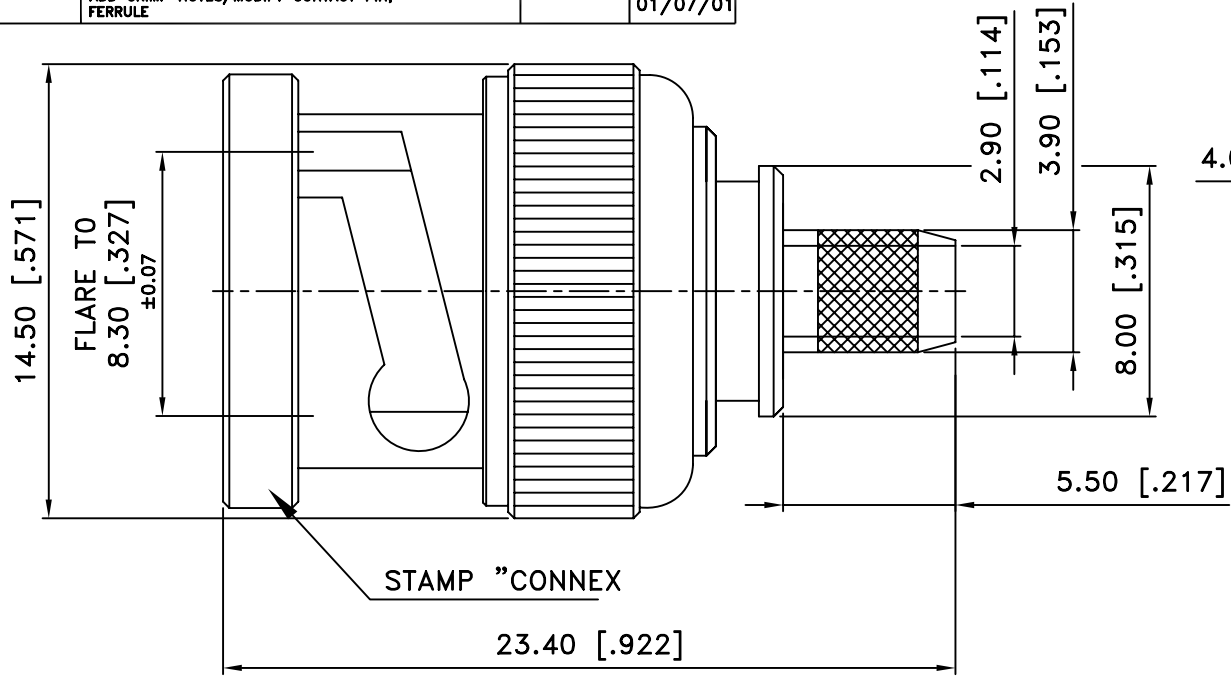
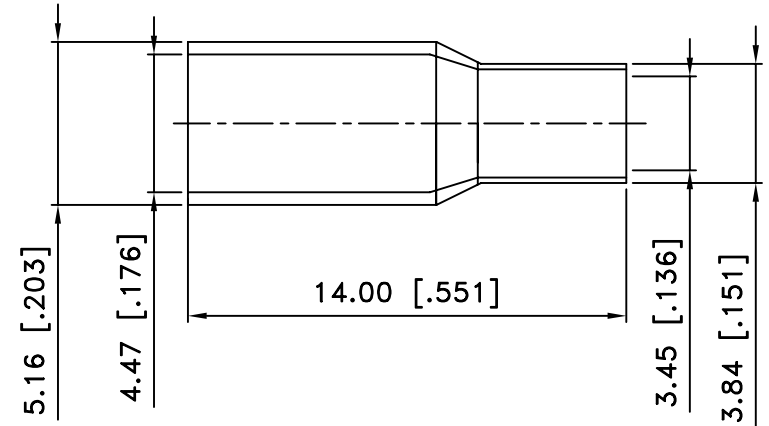
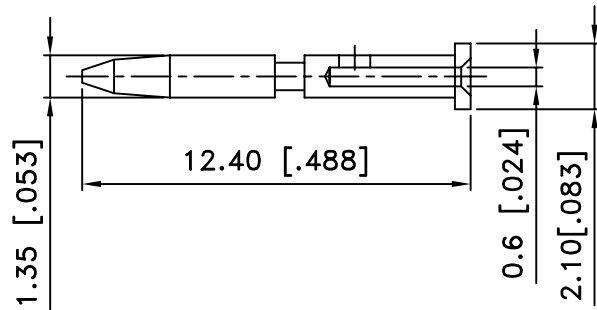
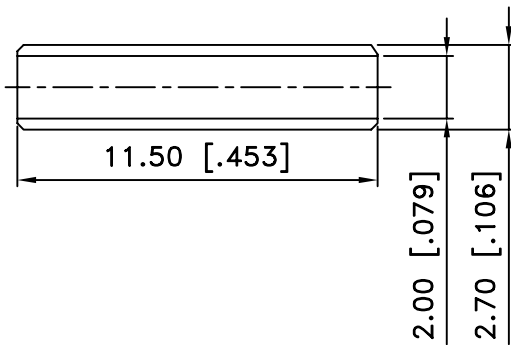


EDITION	DESCRIPTION	DRAWN	DATE
	ADD CRIMP NOTES/MODIFY CONTACT PIN, FERRULE		01/07/01



RECOMMENED
 CABLE DTRIPPING DIM'S



NOTES:

- 1.CRIMPED FERRULE HEX CRIMP SIZE .178"
- 2.CRIMPED CONTACT HEX CRIMP SIZE .043"



ChoiceRight Electronic Inc

TITLE BNC CRIMP PLUG
 (FOR LIBERTY RGB6C/22-2P CABLE)

CHECKED J. Lin

Edit Code.
 BNCMS001020T7500-1

DRAWER
 Eddie

FILE NO. D:\

EDITION: B DATE 01/07/01

TOLERANCES			
DIMENSIONS ARE IN MILLIMETER			
UNLESS OTHERWISE SPECIFIED TOLERANCE FOR MILLIMETERS ARE:			
0.5-6	= ± 0.2		
6-30	= ± 0.4		
30-120	= ± 0.6		
120-315	= ± 1		
315-1000	= ± 1.6		
1000-2000	= ± 2.4		
SCALE	NA	UNIT	MM

6	Ferrule	1	Brass	Nickel
5	Sleeve	1	Teflon	Natural
4	Contact Pin	1	Brass	Gold
3	Insulator	1	Teflon	Natural
2	Body	1	Brass	Nickel
1	Shell	1	Brass	Nickel
NO	Description	Q'ty	Material	Finish