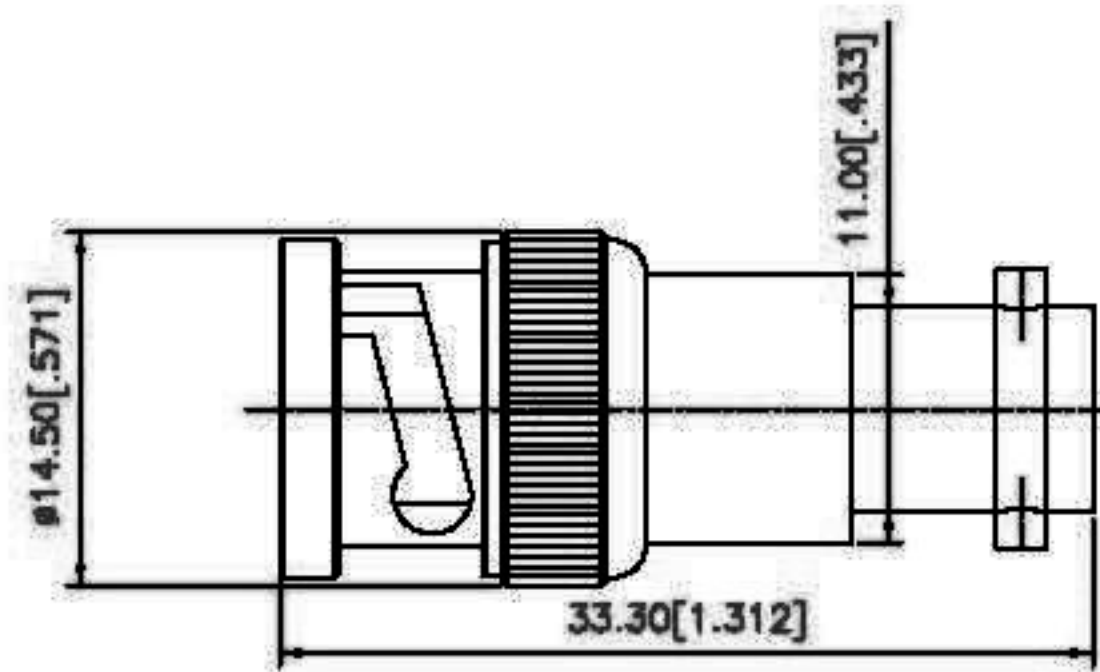


EDITION	DESCRIPTION	DRAWN	DATE
	INITIAL RELEASE		08/07/01
	UPDATE DRAWING FORMAT		09/20/05



TOLERANCES	
DIMENSIONS ARE IN MILLIMETER	
UNLESS OTHERWISE SPECIFIED TOLERANCES FOR INCHES ARE	
0.5-8mm \pm 0.2mm	
8-30mm \pm 0.1mm	
30-120mm \pm 0.05mm	
UNLESS OTHERWISE SPECIFIED TOLERANCES FOR INCHES ARE	
.020-.315 \pm 0.007"	
.315-1.180 \pm 0.015"	
1.180-4.724 \pm 0.020"	

TITLE	BNC PLUG TO JACK ADAPTER (50 OHM)
EdIt Code.	BNCMSBNCFADP5000-1
FILE NO. C:	

CHECKED	J. Lin
DRAWER	Eddie
EDITION: A	DATE 09/20/05

SCALE	NA	UNIT	MM
-------	----	------	----

NO	Description	Q'ty	Material	Finish
3	CONTACT PIN	1	PHOS.BRONZE	GOLD
2	INSULATOR	1	TEFLON	NATURAL
1	Body	1	BRASS	Nickel