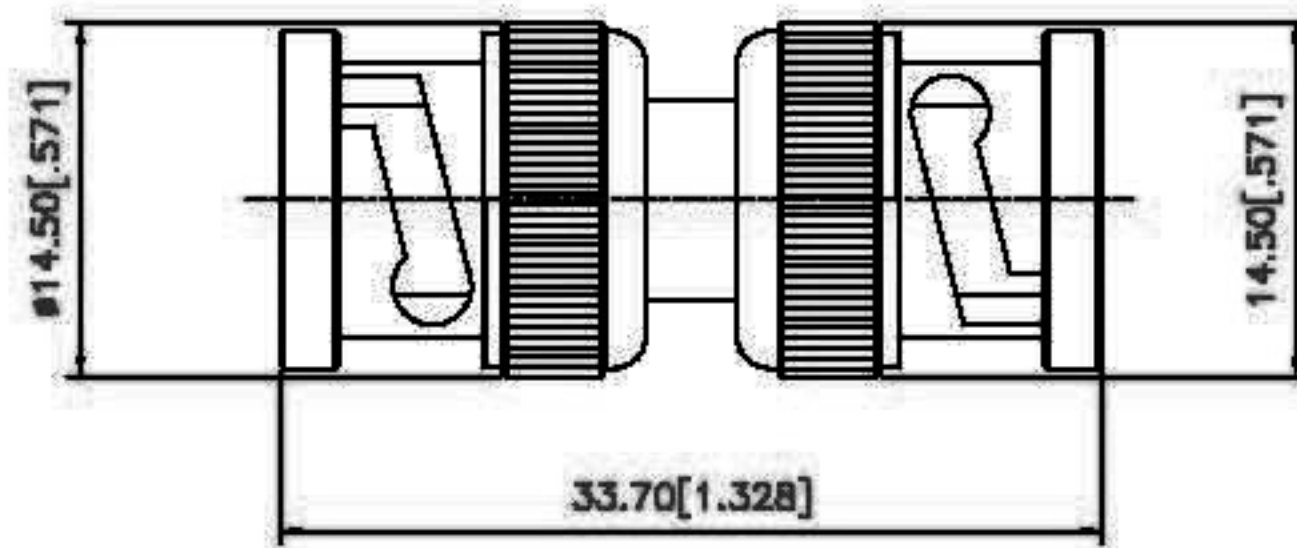


EDITION	DESCRIPTION	DRAWN	DATE
	INITIAL RELEASE		08/02/05



**ChoiceRight Electronic Inc**

TOLERANCES	
DIMENSIONS ARE IN MILLIMETER	
UNLESS OTHERWISE SPECIFIED TOLERANCES FOR INCHES ARE 0.5-8mm±0.2mm 8-30mm±0.1mm 30-120mm±0.05mm UNLESS OTHERWISE SPECIFIED TOLERANCES FOR INCHES ARE .020-.315=±0.007" .315-1.180=±0.015" 1.180-4.724=±0.020"	

TITLE BNC MALE TO BNC MALE ADAPTER  
(50 OHM)

CHECKED J. Lin

Edit Code: BNCMSBNCMADP5000-1

DRAWER Eddie

FILE NO. C:

EDITION: A DATE 08/02/05

SCALE NA UNIT MM

3	CONTACT PIN	1	BRASS	GOLD
2	INSULATOR	1	DELTRIN	NATURAL
1	Body	1	BRASS	Nickel
NO	Description	Qty	Material	Finish