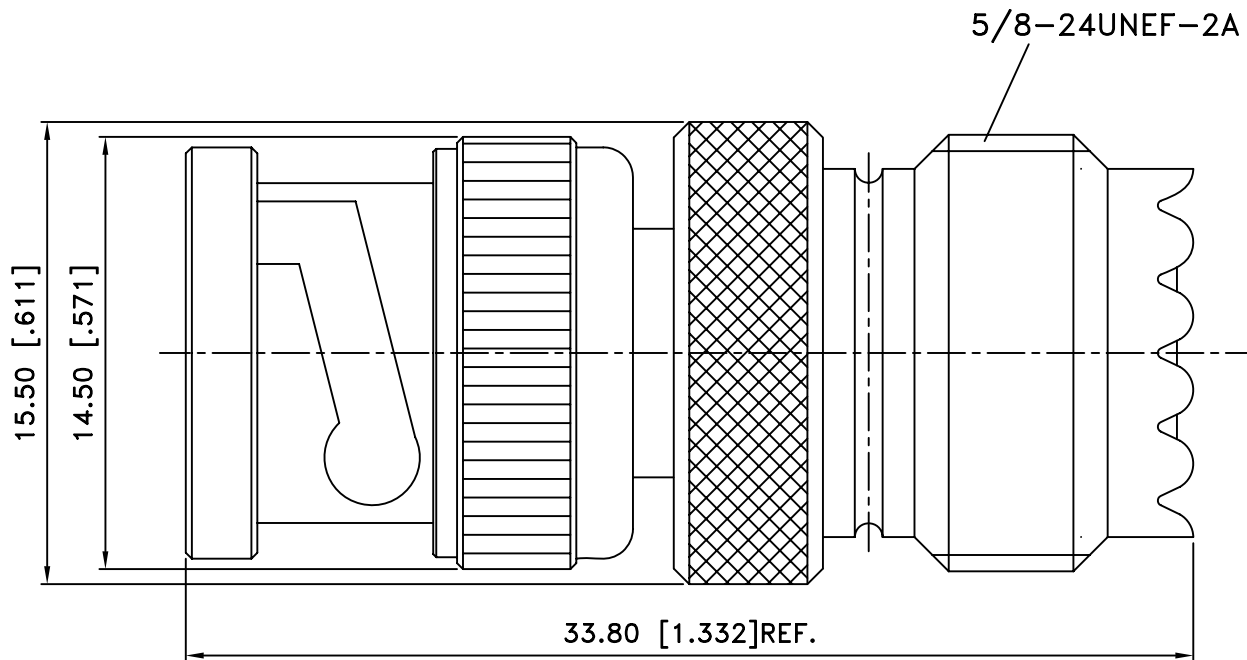


EDITION	DESCRIPTION	DRAWN	DATE
	UPDATE DRAWING FORMAT/ MODIFY BODY DESIGN		03/04/04



ChoiceRight Electronic Inc

TITLE BNC MALE TO UHF FEMALE ADAPTOR

CHECKED J. Lin

Edit Code. BNCMSUHFFADP5000-1

DRAWER Eddie

FILE NO. D:\

EDITION: B DATE 03/04/04

TOLERANCES			
DIMENSIONS ARE IN MILLIMETER			
UNLESS OTHERWISE SPECIFIED ARE IN MILLIMETERS DIMENSIONS IN [] ARE IN INCH AND FOR CUSTOMER REFERENCE ONLY.			
UNLESS OTHERWISE SPECIFIED TOLERANCES FOR MILLIMETER ARE:			
0.5 - 8mm	± 0.20mm		
8 - 30mm	± 0.40mm		
30 - 120mm	± 0.50mm		
UNLESS OTHERWISE SPECIFIED TOLERANCES FOR INCHS ARE:			
.020 - .315	= ± 0.007"		
.315 - 1.180	= ± 0.015"		
1.180 - 4.724	= ± 0.020"		
SCALE	NA	UNIT	MM

NO	Description	Q'ty	Material	Finish
3	CONTACT PIN	1	PHOS.BRONZE	GOLD
2	INSULATOR	1	TEFLON	NATURAL
1	BODY	1	BRASS	NICKEL