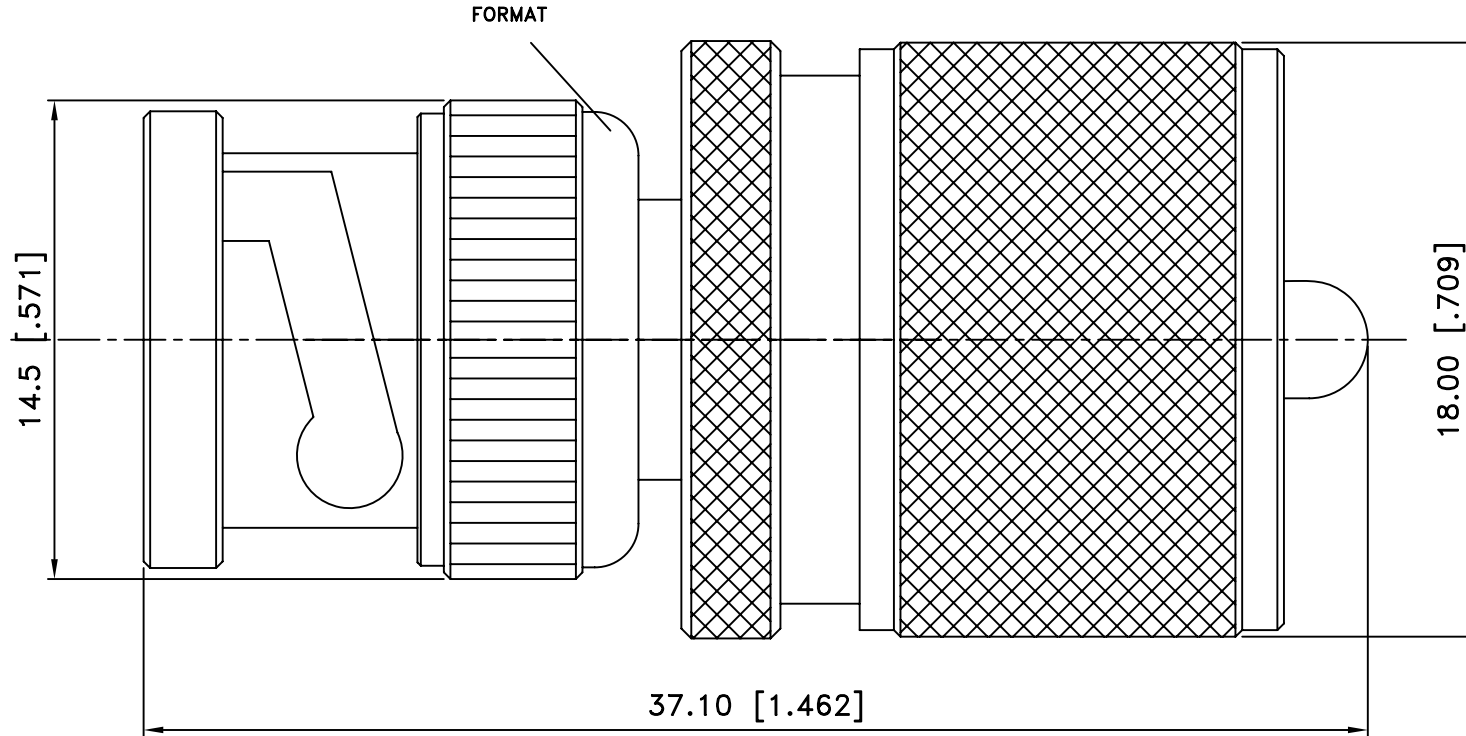


EDITION	DESCRIPTION	DRAWN	DATE
	UPDATE DRAWING FORMAT		06/13/99



ChoiceRight Electronic Inc

**TOLERANCES**

DIMENSIONS ARE IN MILLIMETER

UNLESS OTHERWISE SPECIFIED TOLERANCES FOR MILLIMETER ARE:

- 0.5-6 = ± 0.2
- 6-30 = ± 0.4
- 30-120 = ± 0.6
- 120-315 = ± 1
- 315-1000 = ± 1.6
- 1000-2000 = ± 2.4

TITLE BNC MALE TO UHF MALE ADAPTOR	CHECKED J. Lin
Edit Code. BNCMSUHF MADP5000-1	DRAWER Eddie
FILE NO.D:\	EDITION: B DATE 06/13/99

SCALE	NA	UNIT	MM
-------	----	------	----

NO	Description	Q'ty	Material	Finish
3	CONTACT PIN	1	BRASS	GOLD
2	INSULATOR	1	DELRIN	NATURAL
1	BODY	1	BRASS	NICKEL