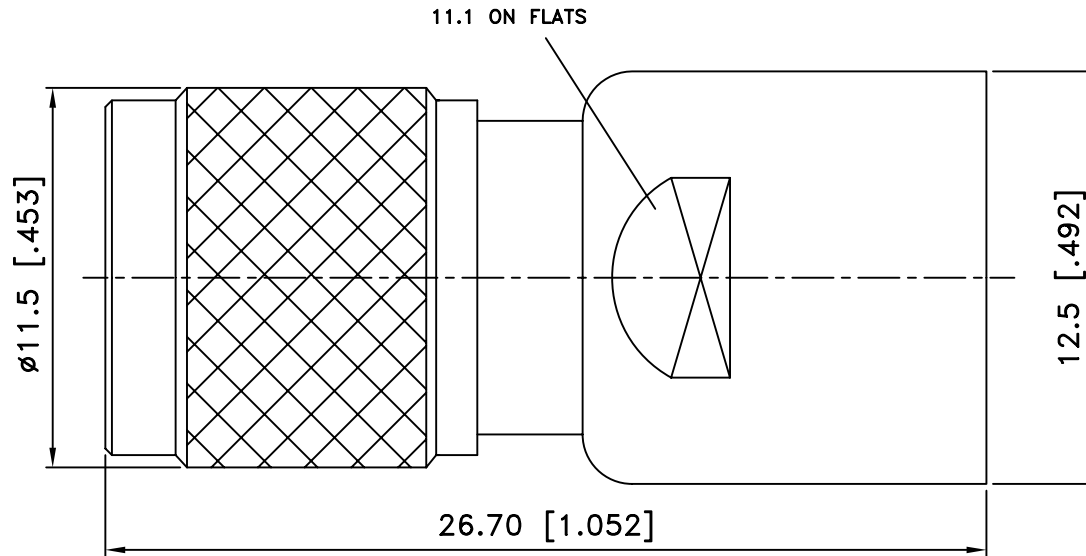


EDITION	DESCRIPTION	DRAWN	DATE
	INITIAL RELEASE		06/08/99
	UPDATE DRAWING FORMAT		01/31/08



ChoiceRight Electronic Inc

TOLERANCES

DIMENSIONS ARE IN MILLIMETER

UNLESS OTHERWISE SPECIFIED ARE IN MILLIMETERS
DIMENSIONS IN [] ARE IN INCH AND FOR CUSTOMER
REFERENCE ONLY.

UNLESS OTHERWISE SPECIFIED TOLERANCES FOR
MILLIMETER ARE:
0.5 - 8mm ± 0.20mm
8 - 30mm ± 0.40mm
30 - 120mm ± 0.50mm

UNLESS OTHERWISE SPECIFIED TOLERANCES FOR
INCHS ARE:
.020 - .315 = ± 0.007"
.315 - 1.180 = ± 0.015"
1.180 - 4.724 = ± 0.020"

TITLE NIPPLE PLUG TO MINI-UHF PLUG		CHECKED J. Lin		SCALE			
Edit Code. FMEMSMUMADP5000-1		DRAWER Eddie		NA	UNIT	MM	
FILE NO.D:\	EDITION: B	DATE 01/31/08					

3	CONTACT PIN	1	BRASS	GOLD
2	INSULATOR	1	PTFE	NATURAL
1	BODY	1	BRASS	NICKEL
NO	<i>Description</i>	<i>Q'ty</i>	<i>Material</i>	<i>Finish</i>