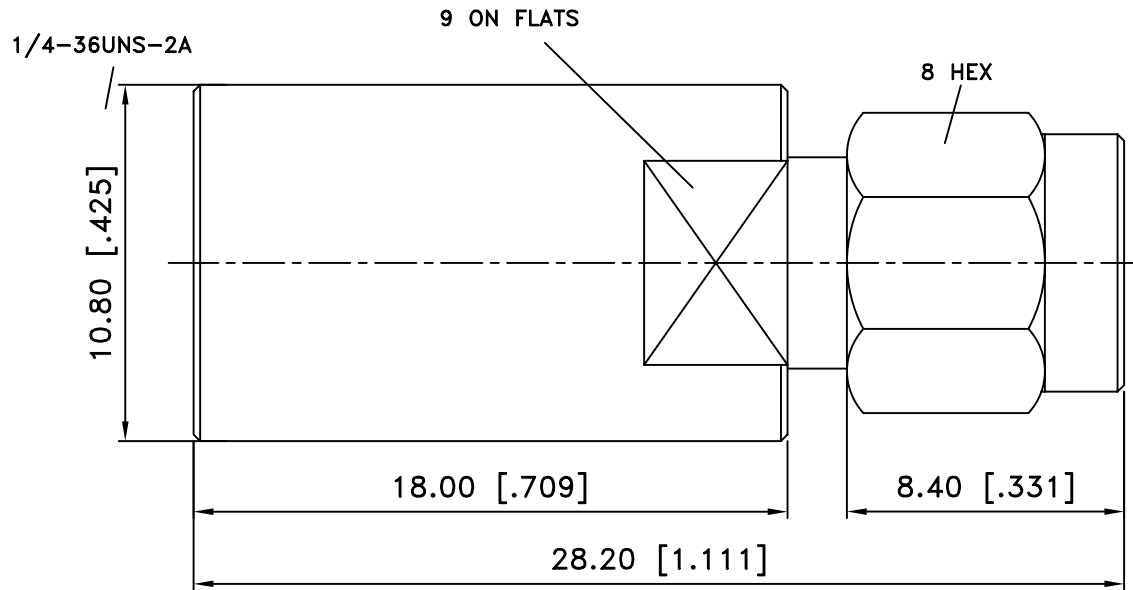


EDITION	DESCRIPTION	DRAWN	DATE
	MODIFY FILE NAME AND REFORMAT		09/03/99
	PLATINGS WAS CHANGED		06/24/09



8	SHELL	1	BRASS	NICKEL
7	RETAINER RING	1	BER.COPPER	NATURAL
6	GASKET	1	SILICONE	RED
5	LOCK RING	1	BRASS	NICKEL
4	INSULATOR	1	PTFE	NATURAL
3	CONTACT PIN	1	BRASS	GOLD
2	INSULATOR	1	PTFE	NATURAL
1	BODY	1	BRASS	NICKEL
<i>NO</i>	<i>Description</i>	<i>Q'ty</i>	<i>Material</i>	<i>Finish</i>



# ChoiceRight Electronic Inc

## TOLERANCES

DIMENSIONS ARE IN MILLIMETER

UNLESS OTHERWISE SPECIFIED ARE IN MILLIMETERS  
DIMENSIONS IN [ ] ARE IN INCH AND FOR CUSTOMER  
REFERENCE ONLY.

UNLESS OTHERWISE SPECIFIED TOLERANCES FOR  
MILLIMETER ARE:

0.5 - 8mm ± 0.20mm  
8 - 30mm ± 0.40mm  
30 - 120mm ± 0.50mm

UNLESS OTHERWISE SPECIFIED TOLERANCES FOR  
INCHS ARE:

.020 - .315 = ± 0.007"  
.315 - 1.180 = ± 0.015"  
1.180 - 4.724 = ± 0.020"

TITLE SMA PLUG TO FME PLUG ADAPTOR

CHECKED J. Lin

Edit Code. FMEMSSMAMADP5000-1

DRAWER Eddie

FILE NO.D:\

EDITION: B DATE 06/24/09

SCALE NA UNIT MM