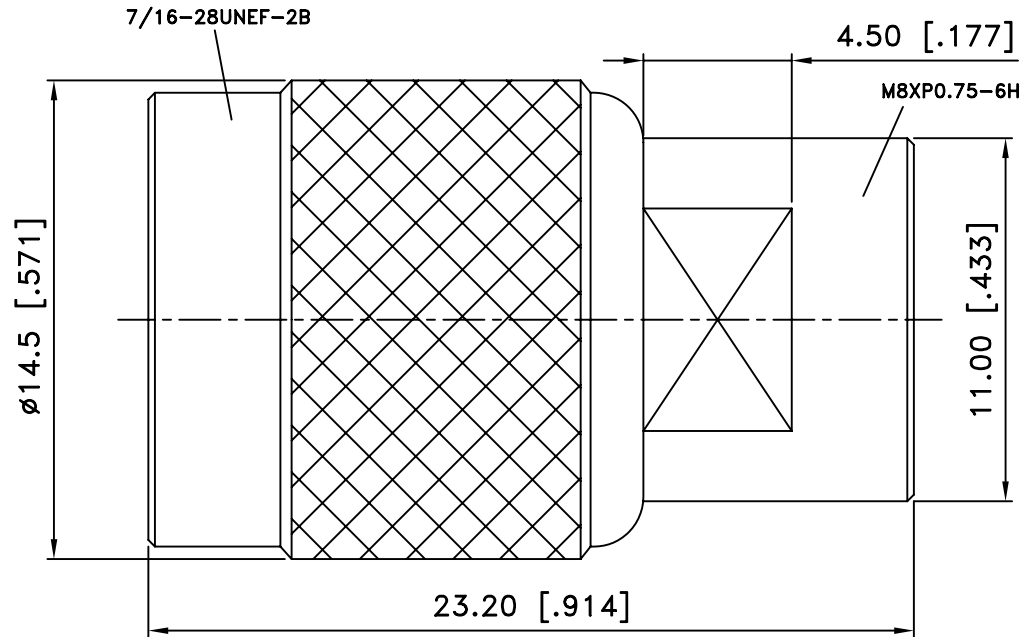


EDITION	DESCRIPTION	DRAWN	DATE
	INITIAL RELEASE		11/22/08



ChoiceRight Electronic Inc

**TOLERANCES**

DIMENSIONS ARE IN MILLIMETER

UNLESS OTHERWISE SPECIFIED ARE IN MILLIMETERS  
DIMENSIONS IN [ ] ARE IN INCH AND FOR CUSTOMER  
REFERENCE ONLY.

UNLESS OTHERWISE SPECIFIED TOLERANCES FOR  
MILLIMETER ARE:  
0.5 - 8mm ± 0.20mm  
8 - 30mm ± 0.40mm  
30 - 120mm ± 0.50mm

UNLESS OTHERWISE SPECIFIED TOLERANCES FOR  
INCHS ARE:  
.020 - .315 = ± 0.007"  
.315 - 1.180 = ± 0.015"  
1.180 - 4.724 = ± 0.020"

TITLE FME MALE TO TNC MALE ADAPTER	CHECKED J. Lin
Edit Code. FMEMSTNCMADP5000-1	DRAWER Eddie
FILE NO.D:\	EDITION: B DATE 11/22/08

SCALE	NA	UNIT	MM
-------	----	------	----

4	SHELL	1	BRASS	NICKEL
3	CONTACT PIN	1	BRASS	GOLD
2	INSULATOR	1	PTFE	NATURAL
1	BODY	1	BRASS	NICKEL
NO	Description	Q'ty	Material	Finish