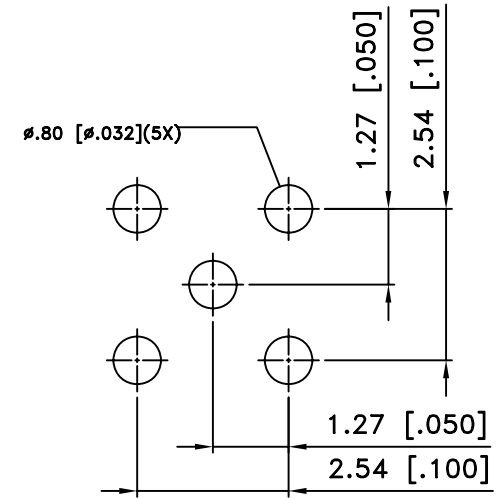
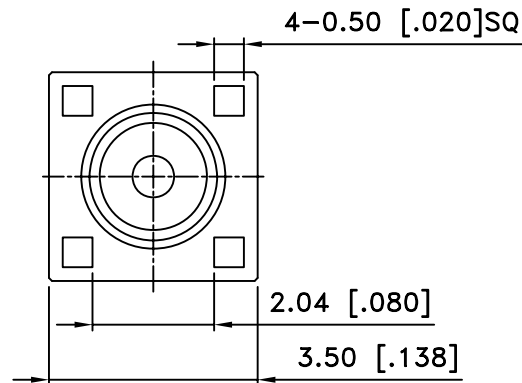
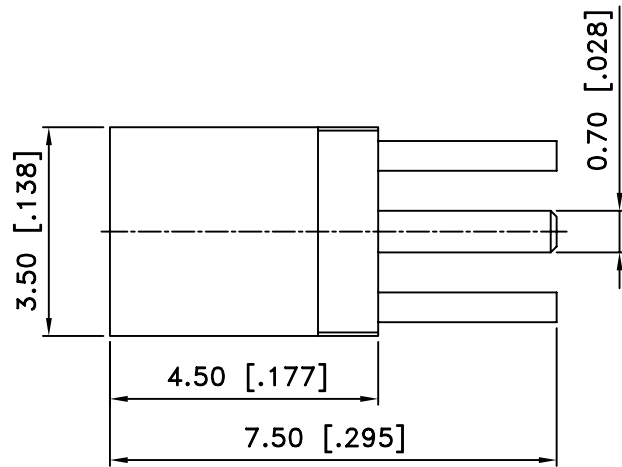


EDITION	DESCRIPTION	DRAWN	DATE
	INITIAL RELEASE		05/18/99



PCB MOUNTING HOLES



ChoiceRight Electronic Inc

TITLE MMCX P.C.B. JACK		CHECKED J. Lin		TOLERANCES DIMENSIONS ARE IN MILLIMETER UNLESS OTHERWISE SPECIFIED ARE IN MILLIMETERS DIMENSIONS IN [] ARE IN INCH AND FOR CUSTOMER REFERENCE ONLY. UNLESS OTHERWISE SPECIFIED TOLERANCES FOR MILLIMETER ARE: 0.5 - 8mm ± 0.20mm 8 - 30mm ± 0.40mm 30 - 120mm ± 0.50mm UNLESS OTHERWISE SPECIFIED TOLERANCES FOR INCHS ARE: .020 - .315 = ± 0.007" .315 - 1.180 = ± 0.015" 1.180 - 4.724 = ± 0.020"			
Edit Code. MMCXFS003015000-1		DRAWER Eddie					
FILE NO.D:\	EDITION: B	DATE 03/12/03	SCALE	NA	UNIT	MM	

3	CONTACT PIN	1	BER.COPPER	GOLD
2	INSULATOR	1	TEFLON	NATURAL
1	BODY	1	BRASS	GOLD
NO	Description	Q'ty	Material	Finish