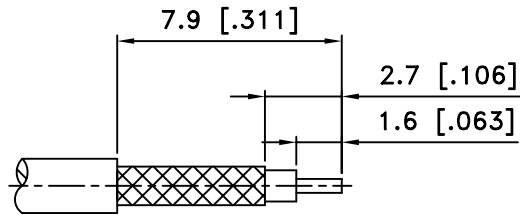
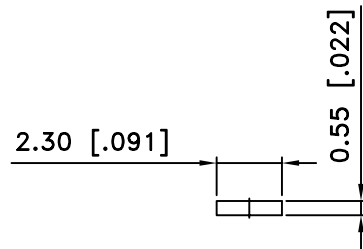
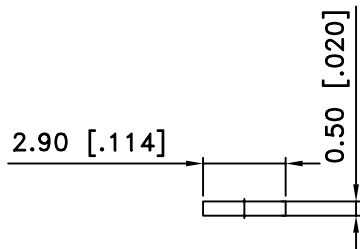
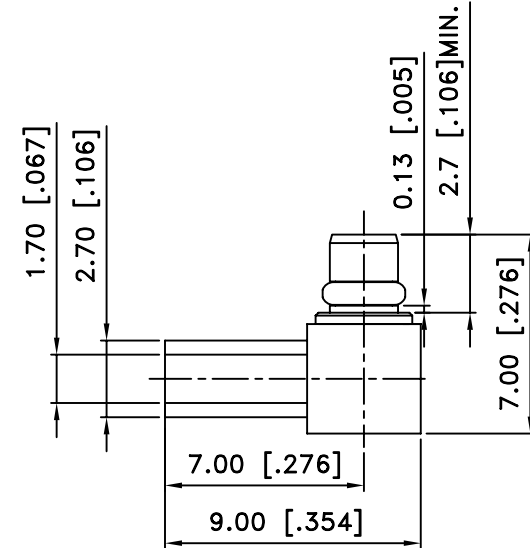
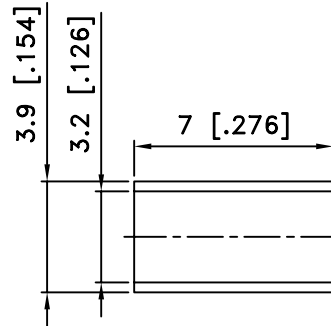


EDITION	DESCRIPTION	DRAWN	DATE
	INITIAL RELEASE		11/19/01
	UPDATE DRAWING FORMAT		03/12/03
	REVISE THE FERRULE AND INCREASE THE BARREL'S OD TO .106", ADD STEP DIMENSION		08/30/11
	ADD INTERFACE DIMENSIONS		08/27/12



RECOMMENED CABLE STRIPPING DIM'S



NOTE

- 1.IMPEDANCE : 50 OHM
- 2.FREQUENCY RANGE : 0-6GHz
- 3.DIELECTRIC WITHSTANDING VOLTAGE : 500 VRMS. MIN
- 4.DURABILITY : 500 CYCLES MIN.
- 5.TEMPERATURE RANGE : -65°C TO +165°C
- 6.CRIMPED FERRULE HEX CRIMP SIZE .105"
- 7.CONTACT PIN TO SOLDER



TITLE MMCX R/A CRIMP PLUG  
(FOR RG-174/U,188A/U,316/U CABLE)

CHECKED J. Lin

Edit Code.  
MMCXMR00102L5000-1

DRAWER Eddie

FILE NO.D:\

EDITION: B DATE 08/30/11

TOLERANCES

DIMENSIONS ARE IN MILLIMETER

UNLESS OTHERWISE SPECIFIED ARE IN MILLIMETERS  
DIMENSIONS IN [ ] ARE IN INCH AND FOR CUSTOMER  
REFERENCE ONLY.

UNLESS OTHERWISE SPECIFIED TOLERANCES FOR  
MILLIMETER ARE:

.05 - 8mm ± 0.20mm  
9 - 30mm ± 0.40mm  
30 - 120mm ± 0.50mm

UNLESS OTHERWISE SPECIFIED TOLERANCES FOR  
INCHS ARE:

.020 - .315 = ± 0.007"  
.315 - 1.180 = ± 0.015"  
1.180 - 4.724 = ± 0.020"

SCALE NA UNIT MM

7	FERRULE	1	BRASS	NATURAL
6	COVER	1	BRASS	GOLD
5	INSULATOR	1	PTFE	GOLD
4	RETAINER RING	1	BER.COPPER	GOLD
3	CONTACT PIN	1	BRASS	GOLD
2	INSULATOR	1	PTFE	NATURAL
1	HOUSING/BODY	1	BRASS	GOLD
NO	Description	Q'ty	Material	Finish