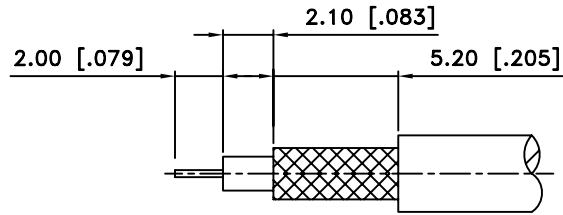
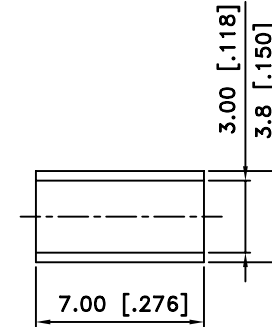
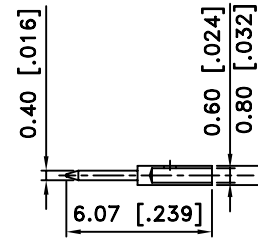
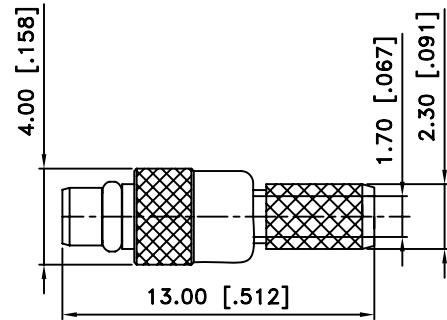


EDITION	DESCRIPTION	DRAWN	DATE
	UPDATED DRAWING FORMAT /MODIFY CONTACT PIN		01/30/04



RECOMMENED CABLE STRIPPING DIM'S



NOTES:
 1. CRIMPED FERRULE HEX CRIMP SIZE .128"
 2. CONTACT PIN TO SOLDER

NO	Description	Q'ty	Material	Finish
5	FERRULE	1	COPPER	GOLD
4	RETAINER RING	1	PHOS.BRONZE	GOLD
3	CONTACT PIN	1	BRASS	GOLD
2	INSULATOR	1	TEFLON	NATURAL
1	BODY	1	BRASS	GOLD

		TOLERANCES					
		DIMENSIONS ARE IN MILLIMETER					
TITLE MMCX CRIMP PLUG (FOR RG-174/U, 188A/U, 316/U)		UNLESS OTHERWISE SPECIFIED ARE IN MILLIMETERS DIMENSIONS IN [] ARE IN INCH AND FOR CUSTOMER REFERENCE ONLY. UNLESS OTHERWISE SPECIFIED TOLERANCES FOR MILLIMETER ARE: 0.5 - 8mm ± 0.20mm 8 - 30mm ± 0.40mm 30 - 120mm ± 0.50mm UNLESS OTHERWISE SPECIFIED TOLERANCES FOR INCHS ARE: .020 - .315 = ± 0.007" .315 - 1.180 = ± 0.015" 1.180 - 4.724 = ± 0.020"					
						CHECKED J. Lin	
Edit Code. MMCXMS00101L5000-1	DRAWER Eddie	EDITION: B	DATE 01/30/04	SCALE	NA	UNIT	MM