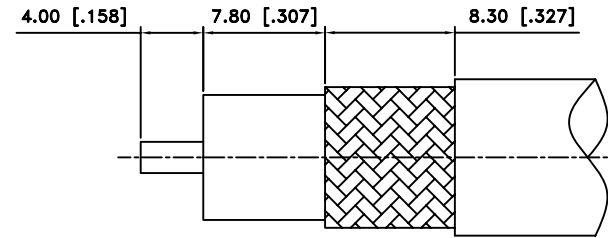
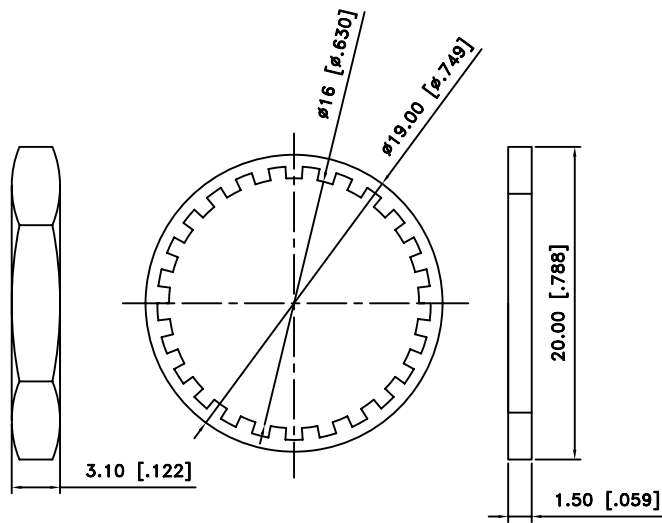
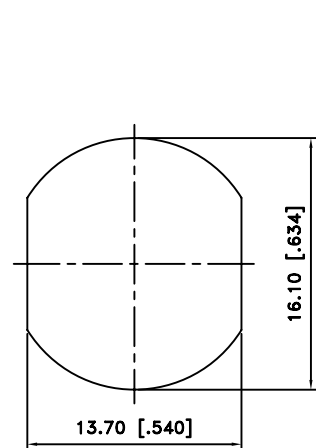
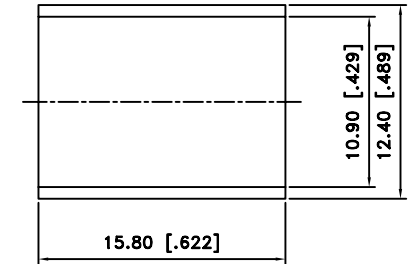


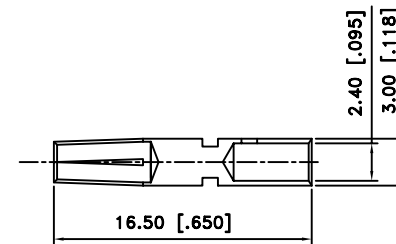
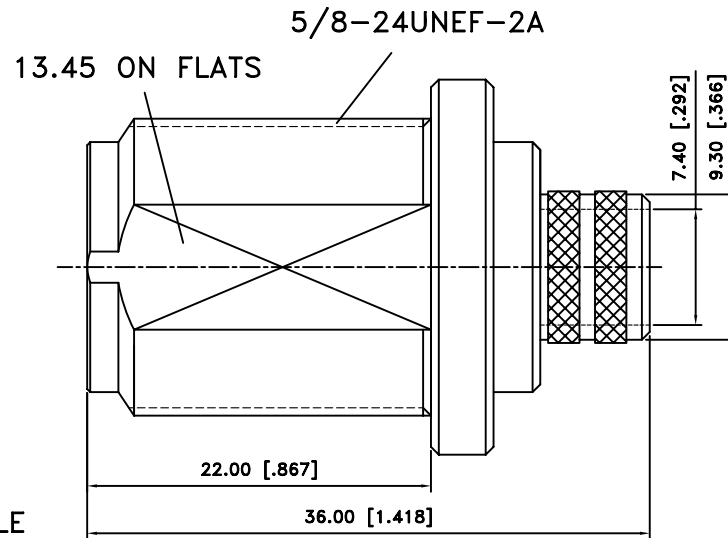
REV.	DATE	DESCRIPTION
NC	07/31/96	INITIAL RELEASE
A	11/16/05	UPDATE DRAWING FORMAT



RECOMMENDED
CABLE STRIPPING DIMS.



RECOMMENDED MOUNTING HOLE



NOTE:

- 1. CRIMPED FERRULE
HEX CRIMP SIZE .429"
- 2. HEX CRIMP SIZE .100"

Amphenol P/N: 172108



ChoiceRight Electronic Inc

UNLESS OTHERWISE SPECIFIED DIMENSIONS ARE IN MILLIMETERS. DIMENSIONS IN [] ARE IN INCHES AND FOR CUSTOMER REFERENCE ONLY.

UNLESS OTHERWISE SPECIFIED TOLERANCES FOR MILLIMETERS ARE:
0.5 - 8mm ± 0.20mm
8 - 30mm ± 0.40mm
30 - 120mm ± 0.50mm

UNLESS OTHERWISE SPECIFIED TOLERANCES FOR MILLIMETERS ARE:
.020 - .315 = ± 0.007"
.315 - 1.180 = ± 0.015"
1.180 - 4.724 = ± 0.020"

TITLE	N BULKHEAD CRIMP JACK (FOR 8/U, 8A/U 213/U CABLE)		CHECKED	J. Lin			
Edit Code.	NFBS00107B5000-1		DRAWER	Eddie			
FILE NO. C:	EDITION: A	DATE 11/16/05	SCALE	NA	UNIT	MM	

8	FERRULE	COPPER	NEXCOTE	1
7	CONTACT PIN	PHOS. BRONZE	GOLD	1
6	HEX NUT	BRASS	NEXCOTE	1
5	LOCK WASHER	BRASS	NEXCOTE	1
4	GASKET	SILICONE	RED	1
3	BARREL	BRASS	NEXCOTE	1
2	INSULATOR	TEFLON	NATURAL	1
1	BODY	BRASS	NEXCOTE	1
NO	DESCRIPTION	MATERIAL	FINISH	QTY