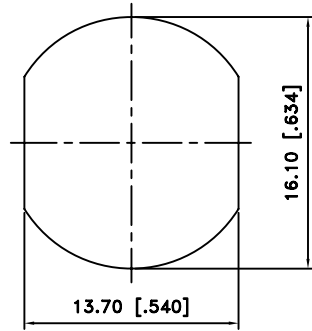
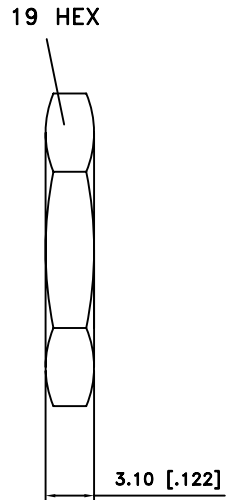
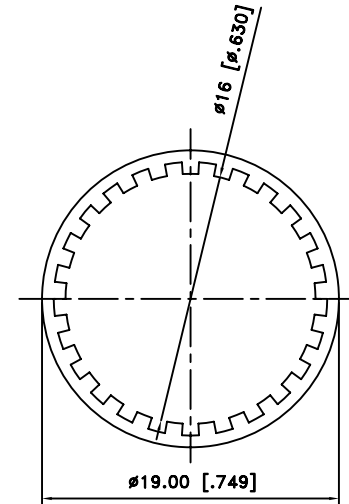
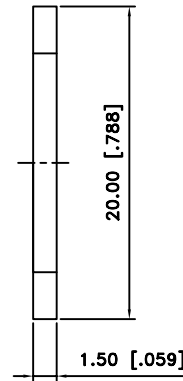
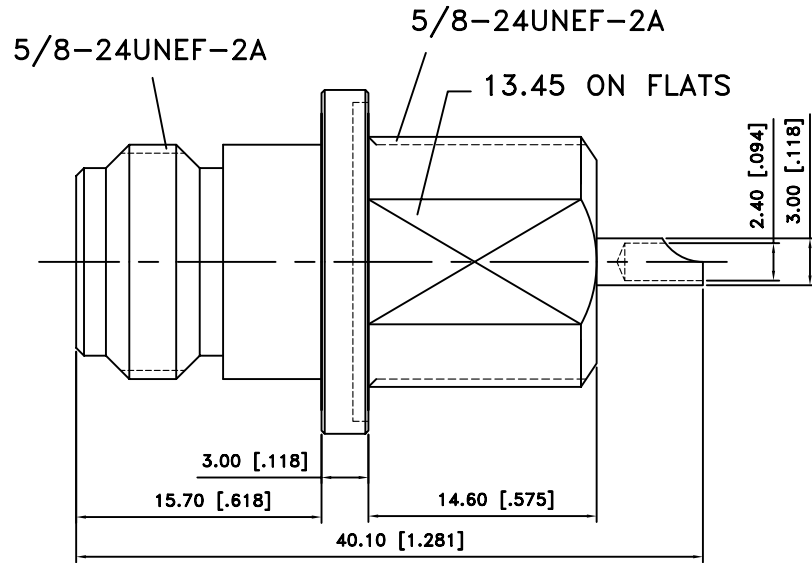


REV.	DATE	DESCRIPTION
NC	01/28/99	INITIAL RELEASE
A	10/09/06	UPDATE DRAWING FORMAT
B	01/28/08	REVISE O-RING SLOT ORIENTATION



RECOMMENDED MOUNTING HOLE



ChoiceRight Electronic Inc

UNLESS OTHERWISE SPECIFIED DIMENSIONS ARE IN MILLIMETERS. DIMENSIONS IN [ ] ARE IN INCHES AND FOR CUSTOMER REFERENCE ONLY.

UNLESS OTHERWISE SPECIFIED TOLERANCES FOR MILLIMETERS ARE:  
0.5 - 8mm ± 0.20mm  
8 - 30mm ± 0.40mm  
30 - 120mm ± 0.50mm

UNLESS OTHERWISE SPECIFIED TOLERANCES FOR MILLIMETERS ARE:  
.020 - .315 = ± 0.007"  
.315 - 1.180 = ± 0.015"  
1.180 - 4.724 = ± 0.020"

TITLE N BULKHEAD RECEPTACLE	CHECKED J. Lin
Edt Code. NFBS019025000-1	DRAWER Eddie
FILE NO. C:	EDITION: B DATE 01/28/08 SCALE NA UNIT MM

NO	DESCRIPTION	MATERIAL	FINISH	QTY
6	HEX NUT	BRASS	NICKEL	1
5	LOCK WASHER	BRASS	NICKEL	1
4	GASKET	SILICONE	RED	1
3	CONTACT PIN	PHOS. BRONZE	GOLD	1
2	INSULATOR	TEFLON	NATURAL	1
1	BODY	BRASS	NICKEL	1