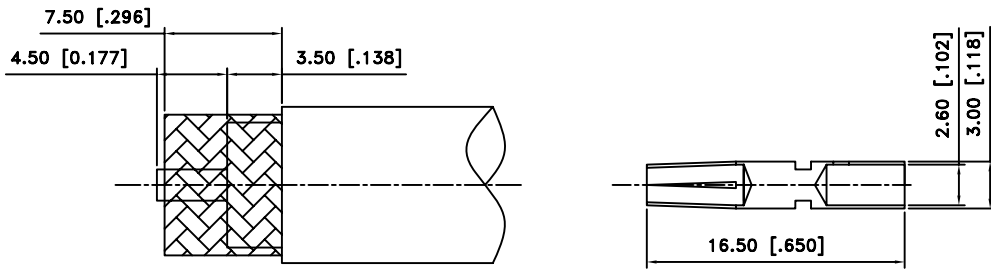
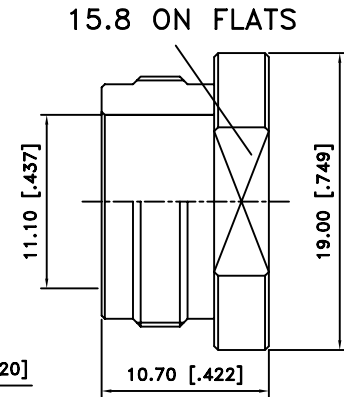
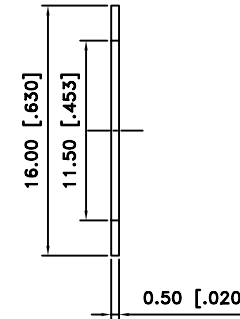
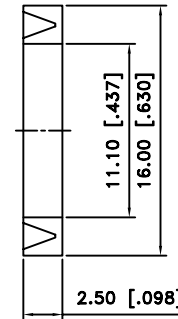
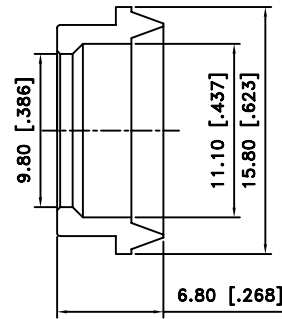
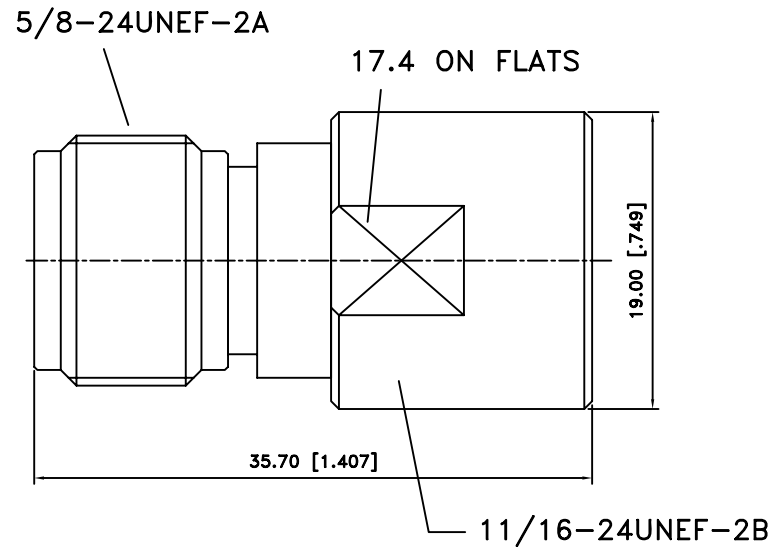


REV.	DATE	DESCRIPTION
NC	04/26/96	INITIAL RELEASE
A	07/29/06	UPDATE DRAWING FORMAT



RECOMMENDED CABLE STRIPPING DIMS



NOTE:

1.CRIMPED CONTACT PIN HEX CRIMP SIZE .100"  
OR SOLDER



ChoiceRight Electronic Inc

UNLESS OTHERWISE SPECIFIED DIMENSIONS ARE IN MILLIMETERS. DIMENSIONS IN ( ) ARE IN INCHES AND FOR CUSTOMER REFERENCE ONLY.

UNLESS OTHERWISE SPECIFIED TOLERANCES FOR MILLIMETERS ARE:  
0.5 - 8mm ± 0.20mm  
8 - 30mm ± 0.40mm  
30 - 120mm ± 0.50mm

UNLESS OTHERWISE SPECIFIED TOLERANCES FOR MILLIMETERS ARE:  
.020 - .315 = ± 0.007"  
.315 - 1.180 = ± 0.015"  
1.180 - 4.724 = ± 0.020"

TITLE N CLAMP JACK (FOR RG-213/U, 214/U, 8/U CABLE)		CHECKED J. Lin		SCALE NA UNIT MM			
Edt Code. NFS00206B5000-1		DRAWER Eddie					
FILE NO. C:	EDITION: A	DATE 07/29/06					

7	CONTACT PIN	PHOS. BRONZE	GOLD	1
6	NUT	BRASS	NEXCOTE	1
5	WASHER	BRASS	NEXCOTE	1
4	GASKET	SILICONE	RED	1
3	BRAID CLAMP	BRASS	NEXCOTE	1
2	INSULATOR	TEFLON	NATURAL	1
1	BODY	BRASS	NEXCOTE	1
NO	DESCRIPTION	MATERIAL	FINISH	QTY