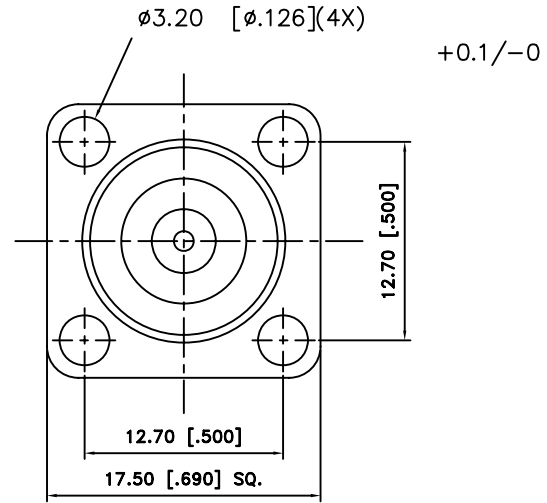
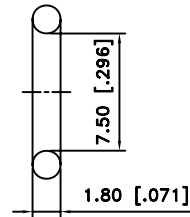
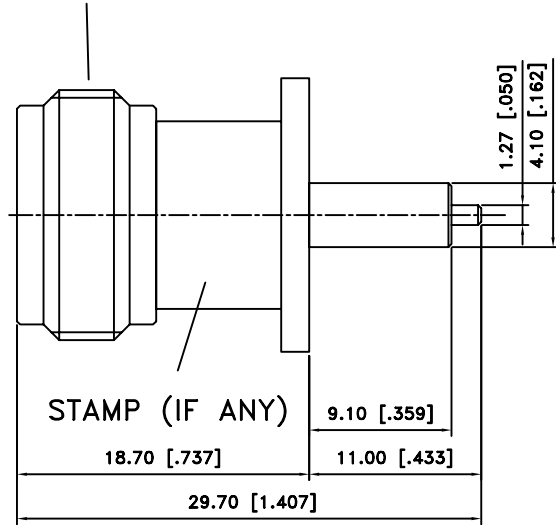


REV.	DATE	DESCRIPTION
A	06/05/03	UPDATE DRAWING FORMAT

5/8-24UNEF-2A



ChoiceRight Electronic Inc

UNLESS OTHERWISE SPECIFIED DIMENSIONS ARE IN MILLIMETERS. DIMENSIONS IN [] ARE IN INCHES AND FOR CUSTOMER REFERENCE ONLY.

UNLESS OTHERWISE SPECIFIED TOLERANCES FOR MILLIMETERS ARE:
 0.5 - 8mm ± 0.20mm
 8 - 30mm ± 0.40mm
 30 - 120mm ± 0.50mm

UNLESS OTHERWISE SPECIFIED TOLERANCES FOR MILLIMETERS ARE:
 .020 - .315 = ± 0.007"
 .315 - 1.180 = ± 0.015"
 1.180 - 4.724 = ± 0.020"

TITLE	N PANEL RECEPTACLE JACK EXTENDED TEFLON (.359" / .433")		CHECKED	J. Lin			
Edt Code.	NFS009025000-1		DRAWER	Eddie			
FILE NO. C:	EDITION: A	DATE 06/05/03	SCALE	NA	UNIT	MM	

NO	DESCRIPTION	MATERIAL	FINISH	QTY
7				
6				
5				
4	GASKET	SILICONE	RED	1
3	CONTACT PIN	PHOS. BRONZE	GOLD	1
2	INSULATOR	TEFLON	NATURAL	1
1	BODY	BRASS	NEXCOTE	1