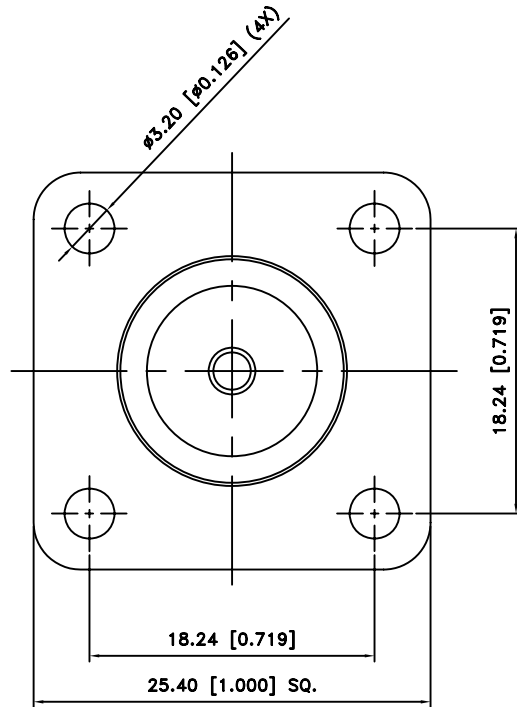
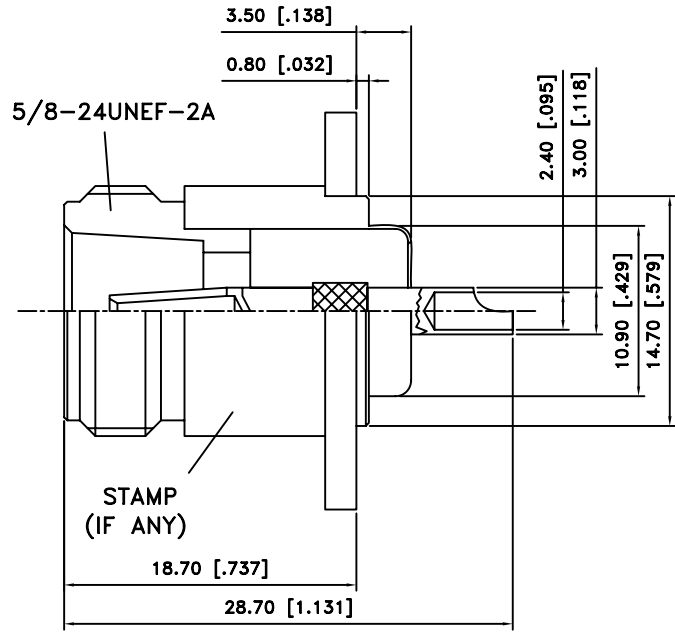


REV.	DATE	DESCRIPTION
A	06/05/03	UPDATE DRAWING FORMAT



UNLESS OTHERWISE SPECIFIED DIMENSIONS ARE IN MILLIMETERS. DIMENSIONS IN [] ARE IN INCHES AND FOR CUSTOMER REFERENCE ONLY.

UNLESS OTHERWISE SPECIFIED TOLERANCES FOR MILLIMETERS ARE:
0.5 - 8mm ± 0.20mm
8 - 30mm ± 0.40mm
30 - 120mm ± 0.50mm

UNLESS OTHERWISE SPECIFIED TOLERANCES FOR MILLIMETERS ARE:
.020 - .315 = ± 0.007"
.315 - 1.180 = ± 0.015"
1.180 - 4.724 = ± 0.020"

TITLE	N PANEL RECEPTACLE JACK	CHECKED	J. Lin
Edit Code.	NFS009055000-1	DRAWER	Eddie
FILE NO. C:	EDITION: A	DATE 06/05/03	SCALE NA UNIT MM

7				
6				
5				
4				
3	CONTACT PIN	PHOS. BRONZE	GOLD	1
2	INSULATOR	TEFLON	NATURAL	1
1	BODY	BRASS	NEXCOTE	1
NO	DESCRIPTION	MATERIAL	FINISH	QTY