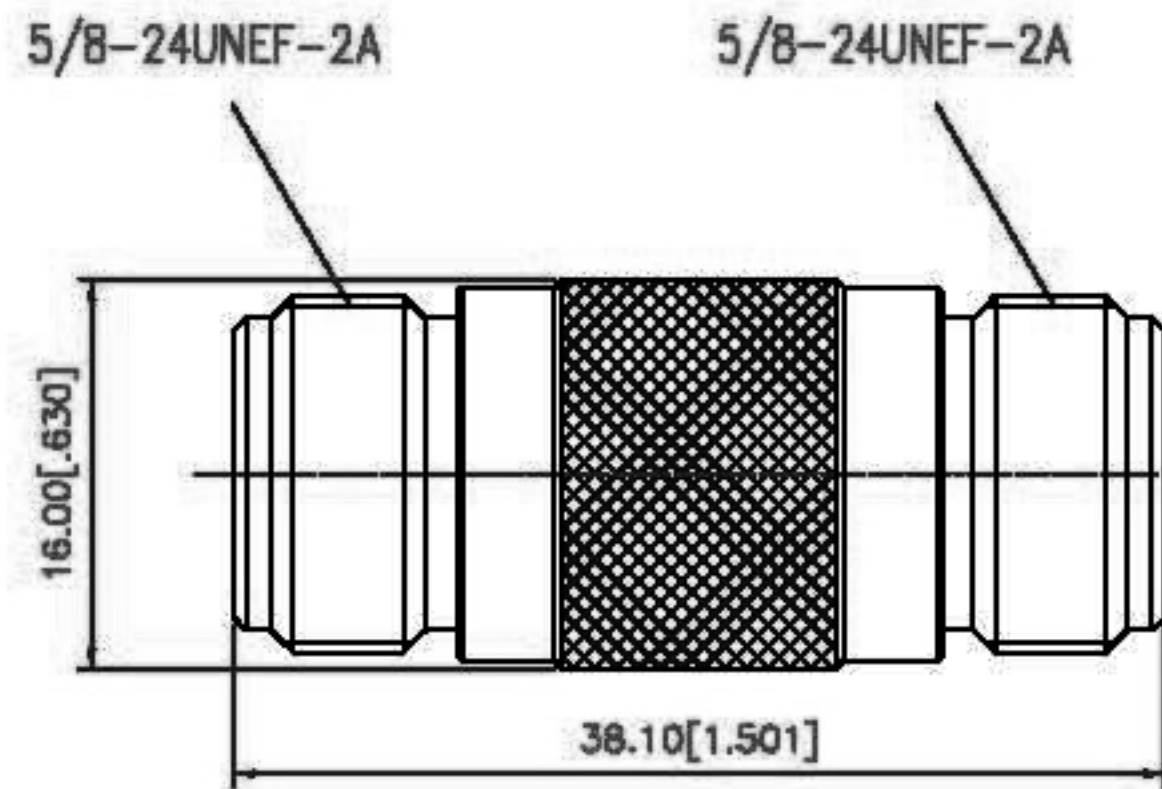


EDITION	DESCRIPTION	DRAWN	DATE
	UPDATE DRAWING FORMAT		12/09/03
	CHANGE BODY PLATING TO NEXCOTE		03/16/06



ChoiceRight Electronic Inc

TOLERANCES					
DIMENSIONS ARE IN MILLIMETER					
UNLESS OTHERWISE SPECIFIED TOLERANCES FOR INCHES ARE 0.5-8mm±0.2mm 8-30mm±0.1mm 30-120mm±0.05mm UNLESS OTHERWISE SPECIFIED TOLERANCES FOR INCHES ARE .020-.315=±0.007" .315-1.180=±0.015" 1.180-4.724=0.020"					

TITLE N FEMALE TO FEMALE ADAPTOR

CHECKED J. Lin

Edit Code. NFSNFADP5000-1

DRAWER Eddie

FILE NO. C:

EDITION: A DATE 03/16/06

SCALE NA UNIT MM

NO	Description	Qty	Material	Finish
3	CONTACT PIN	1	BER.COPPER	GOLD
2	INSULATOR	1	TEFLON	NATURAL
1	Body	1	BRASS	NEXCOTE