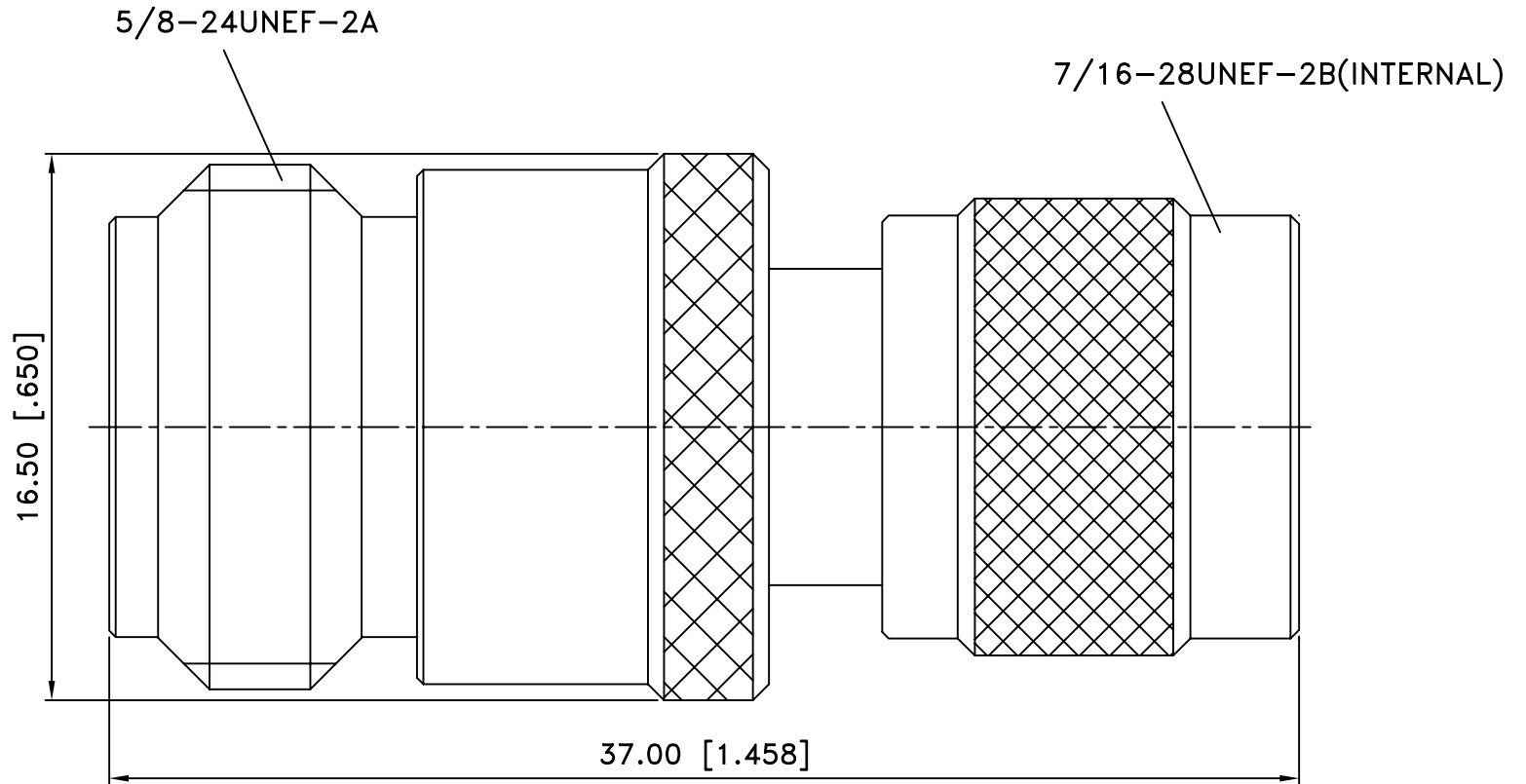


EDITION	DESCRIPTION	DRAWN	DATE
	UPDATW DRAWING FORMAT		03/27/05



ChoiceRight Electronic Inc

TOLERANCES

DIMENSIONS ARE IN MILLIMETER

UNLESS OTHERWISE SPECIFIED ARE IN MILLIMETERS  
DIMENSIONS IN [ ] ARE IN INCH AND FOR CUSTOMER  
REFERENCE ONLY.

UNLESS OTHERWISE SPECIFIED TOLERANCES FOR  
MILLIMETER ARE:

0.5 - 8mm ± 0.20mm  
8 - 30mm ± 0.40mm  
30 - 120mm ± 0.50mm

UNLESS OTHERWISE SPECIFIED TOLERANCES FOR  
INCHS ARE:

.020 - .315 = ± 0.007"  
.315 - 1.180 = ± 0.015"  
1.180 - 4.724 = ± 0.020"

TITLE  
N FEMALE TO TNC MALE ADAPTOR

CHECKED  
J. Lin

Edit Code.  
NFSTNCMADP5000-1

DRAWER  
Eddie

FILE NO.D:\

EDITION: B DATE 03/27/05

SCALE NA UNIT MM

4	GASKET	1	SILICONE	RED
3	CONTACT PIN	1	PHOS.BRONZE	GOLD
2	INSULATOR	1	TEFLON	NATURAL
1	BODY	1	BRASS	NICKEL
NO	Description	Q'ty	Material	Finish