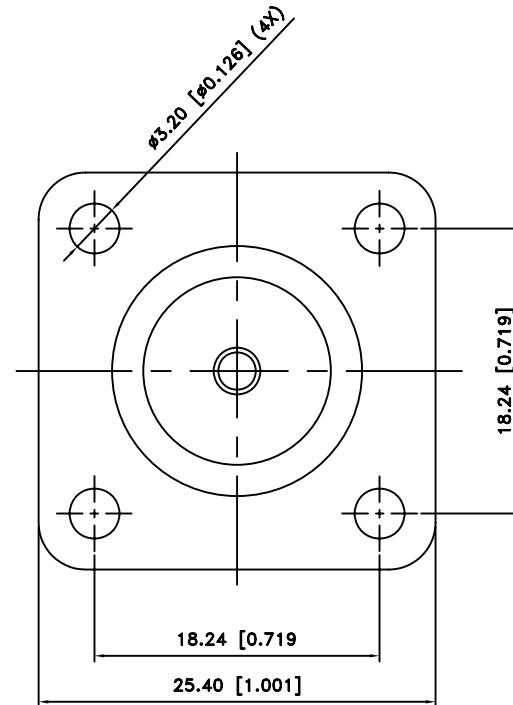
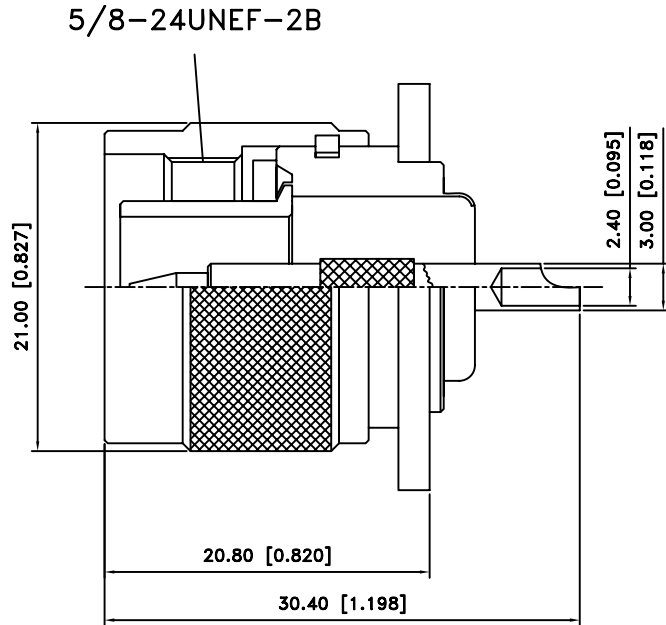


REV.	DATE	DESCRIPTION
NC	09/08/95	INITIAL RELEASE
A	05/01/06	UPDATE DRAWING FORMAT



ChoiceRight Electronic Inc

UNLESS OTHERWISE SPECIFIED DIMENSIONS ARE IN MILLIMETERS. DIMENSIONS IN [] ARE IN INCHES AND FOR CUSTOMER REFERENCE ONLY.

UNLESS OTHERWISE SPECIFIED TOLERANCES FOR MILLIMETERS ARE:

- 0.5 - 8mm ± 0.20mm
- 8 - 30mm ± 0.40mm
- 30 - 120mm ± 0.50mm

UNLESS OTHERWISE SPECIFIED TOLERANCES FOR MILLIMETERS ARE:

- .020 - .315 = ± 0.007"
- .315 - 1.180 = ± 0.015"
- 1.180 - 4.724 = ± 0.020"

TITLE	N PANEL RECEPTACLE PLUG	CHECKED	J. Lin
Edt Code.	NMS009085000-1	DRAWER	Eddie
FILE NO. C:		EDITION: A	DATE 05/01/06

SCALE	NA	UNIT	MM
--------------	-----------	-------------	-----------

NO	DESCRIPTION	MATERIAL	FINISH	QTY
7				
6				
5				
4				
3	CONTACT PIN	BRASS	GOLD	1
2	INSULATOR	TEFLON	NATURAL	1
1	BODY	BRASS	NEXCOTE	1