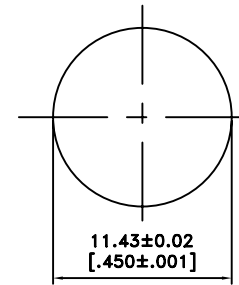
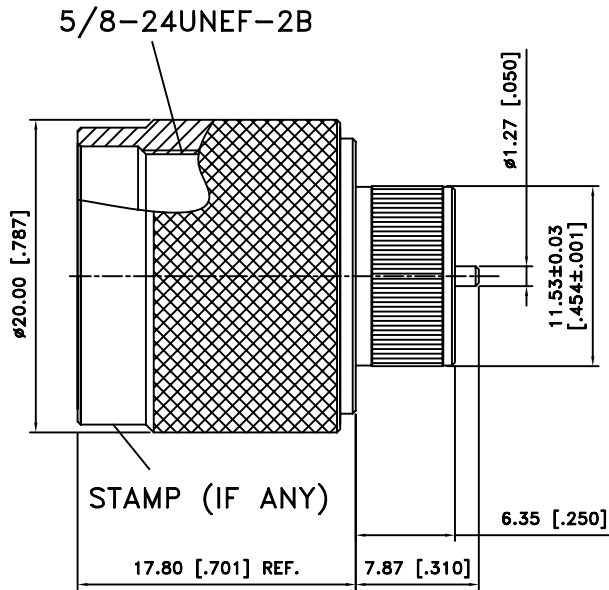


REV.	DATE	ECR NO.	DESCRIPTION
NC	09/18/00	XXXXXX	INITIAL RELEASE
A	10/06/11	XXXXXX	MODIFY THE BODY PLATING TO NEXCOTE



RECOMMENDED MOUNTING HOLE



ChoiceRight Electronic Inc

UNLESS OTHERWISE SPECIFIED DIMENSIONS ARE IN MILLIMETERS. DIMENSIONS IN [] ARE IN INCHES AND FOR CUSTOMER REFERENCE ONLY.

UNLESS OTHERWISE SPECIFIED TOLERANCES FOR MILLIMETERS ARE:

- 0.5 - 8mm ± 0.20mm
- 8 - 30mm ± 0.40mm
- 30 - 120mm ± 0.50mm

UNLESS OTHERWISE SPECIFIED TOLERANCES FOR MILLIMETERS ARE:

- .020 - .315 = ± 0.007"
- .315 - 1.180 = ± 0.015"
- 1.180 - 4.724 = ± 0.020"

TITLE N PRESS MOUNT RECEPTACLE PLUG		CHECKED J. Lin		<p>UNLESS OTHERWISE SPECIFIED DIMENSIONS ARE IN MILLIMETERS. DIMENSIONS IN [] ARE IN INCHES AND FOR CUSTOMER REFERENCE ONLY.</p> <p>UNLESS OTHERWISE SPECIFIED TOLERANCES FOR MILLIMETERS ARE:</p> <p>0.5 - 8mm ± 0.20mm 8 - 30mm ± 0.40mm 30 - 120mm ± 0.50mm</p> <p>UNLESS OTHERWISE SPECIFIED TOLERANCES FOR MILLIMETERS ARE:</p> <p>.020 - .315 = ± 0.007" .315 - 1.180 = ± 0.015" 1.180 - 4.724 = ± 0.020"</p>			
Edit Code. NMS019055000-1		DRAWER Eddie					
FILE NO. C:	EDITION: A	DATE 10/06/11	SCALE				

7				
6				
5				
4				
3	CONTACT PIN	BRASS	GOLD	1
2	INSULATOR	PTFE	NATURAL	1
1	BODY	BRASS	NEXCOTE	1
NO	DESCRIPTION	MATERIAL	FINISH	QTY