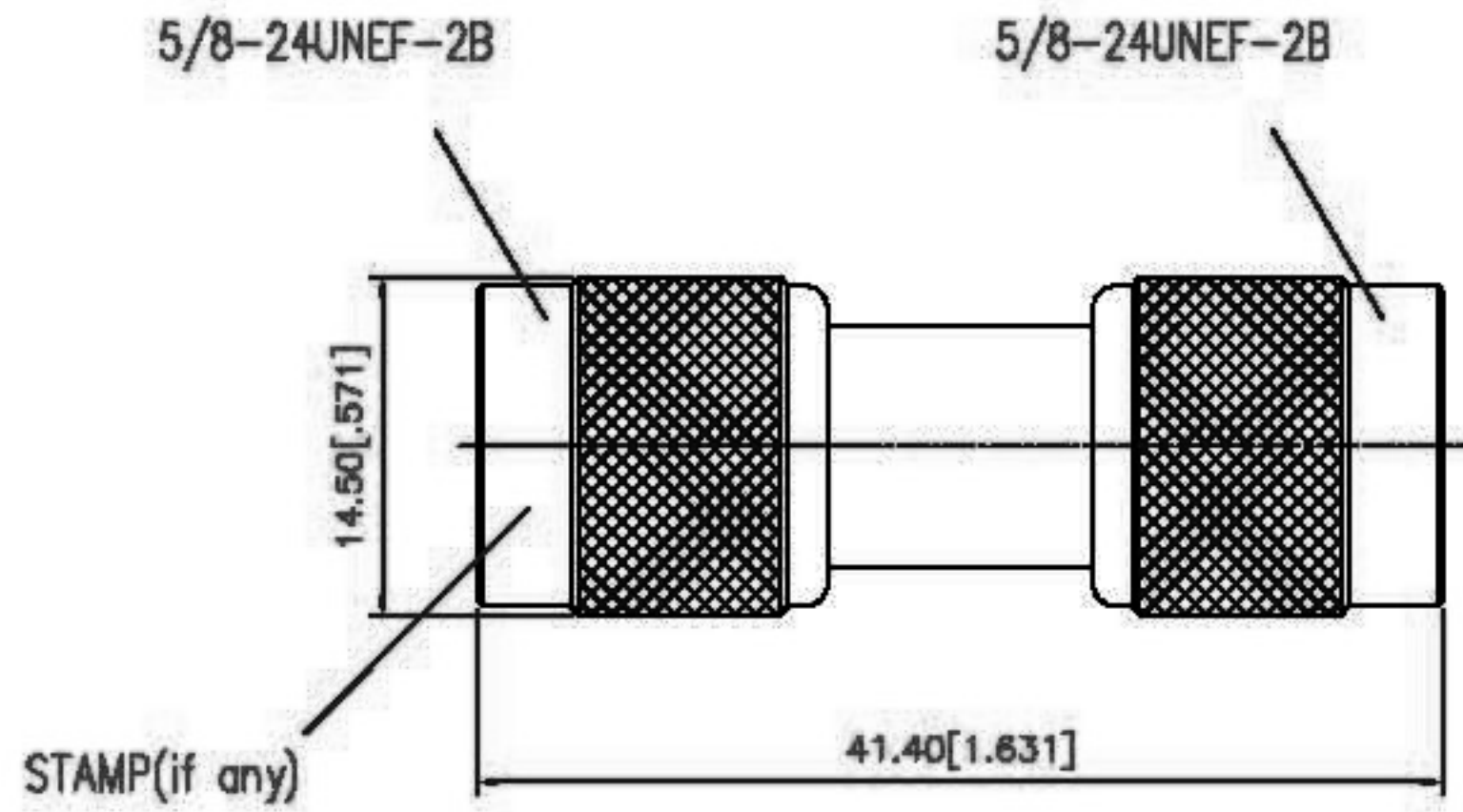


EDITION	DESCRIPTION	DRAWN	DATE
	INITIAL RELEASE		03/18/09



TOLERANCES	
DIMENSIONS ARE IN MILLIMETER	
UNLESS OTHERWISE SPECIFIED TOLERANCES FOR INCHES ARE 0.5-8mm±0.2mm 8-30mm±0.1mm 30-120mm±0.05mm	
UNLESS OTHERWISE SPECIFIED TOLERANCES FOR INCHES ARE .020-.315=±0.007" .315-1.180=±0.015" 1.180-4.724=±0.020"	

TITLE N MALE TO MALE ADAPTOR
Edt Code. NMSNMADP5000-1
FILE NO. C:

CHECKED J. Lin	EDITION: A	DATE 08/25/09
DRAWER Eddie	SCALE	NA
	UNIT	MM

5	RETAINER RING	1	SUS 304	NATURAL
4	GASKET	1	SILICONE	RED
3	CONTACT PIN	1	BER.COPPER	GOLD
2	INSULATOR	1	TEFLON	NATURAL
1	Body	1	BRASS	NEXCOTE
NO	Description	Qty	Material	Finish