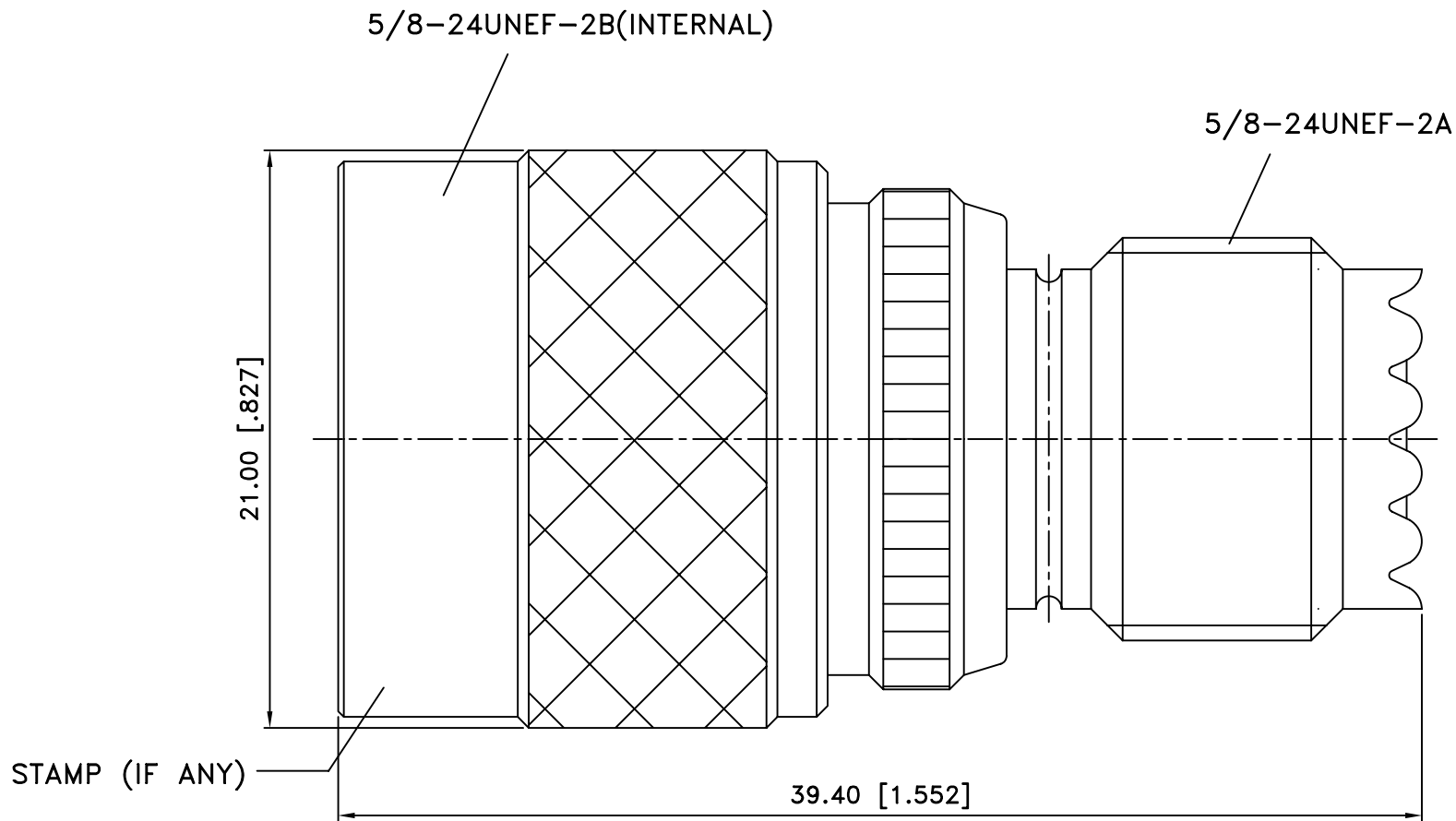


EDITION	DESCRIPTION	DRAWN	DATE
	UPDATE DRAWING FORMAT		01/22/04



ChoiceRight Electronic Inc

TITLE N PLUG TO UHF JACK ADAPTOR

CHECKED J. Lin

Edit Code. NMSUHFFADP5000-1

DRAWER Eddie

FILE NO. D:\

EDITION: B DATE 01/22/04

TOLERANCES			
DIMENSIONS ARE IN MILLIMETER			
UNLESS OTHERWISE SPECIFIED ARE IN MILLIMETERS DIMENSIONS IN [ ] ARE IN INCH AND FOR CUSTOMER REFERENCE ONLY.			
UNLESS OTHERWISE SPECIFIED TOLERANCES FOR MILLIMETER ARE:			
0.5 - 8mm	± 0.20mm		
8 - 30mm	± 0.40mm		
30 - 120mm	± 0.50mm		
UNLESS OTHERWISE SPECIFIED TOLERANCES FOR INCHS ARE:			
.020 - .315	± 0.007"		
.315 - 1.180	± 0.015"		
1.180 - 4.724	± 0.020"		

4	CONTACT PIN (UHF)	1	BRASS	GOLD
3	CONTACT PIN (N)	1	BRASS	GOLD
2	INSULATOR	1	TEFLON	NATURAL
1	BODY	1	BRASS	NICKEL
NO	Description	Q'ty	Material	Finish