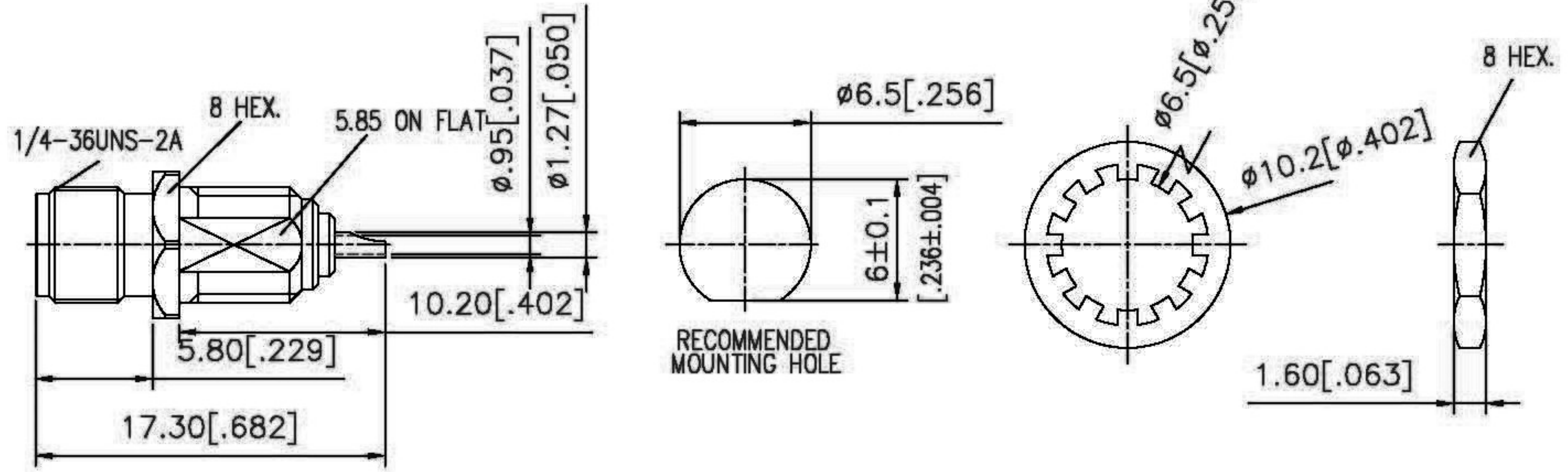


EDITION	DESCRIPTION	DRAWN	DATE
	INITIAL RELEASE		10/29/10



TITLE SMA BULKHEAD RECEPT. JACK
 Edit Code. SMAFBS019035000-1
 FILE NO. C:

CHECKED J. Lin
 DRAWER Eddie
 EDITION: A DATE 10/29/10

TOLERANCES					
DIMENSIONS ARE IN MILLIMETER					
UNLESS OTHERWISE SPECIFIED TOLERANCES FOR INCHES ARE 0.5-8mm ± 0.2 mm 8-30mm ± 0.1 mm 30-120mm ± 0.05 mm UNLESS OTHERWISE SPECIFIED TOLERANCES FOR INCHES ARE .020-.315 ± 0.007 " .315-1.180 ± 0.015 " 1.180-4.724 ± 0.020 "					
SCALE	NA	UNIT	MM		

5	HEX NUT	1	BRASS	GOLD
4	LOCK WASHER	1	BRASS	GOLD
3	CONTACT PIN	1	BERILLIUM COPPER	GOLD
2	INSULATOR	1	PTFE	NATURAL
1	HOUSING/BODY	1	BRASS	GOLD
NO	Description	Qty	Material	Finish