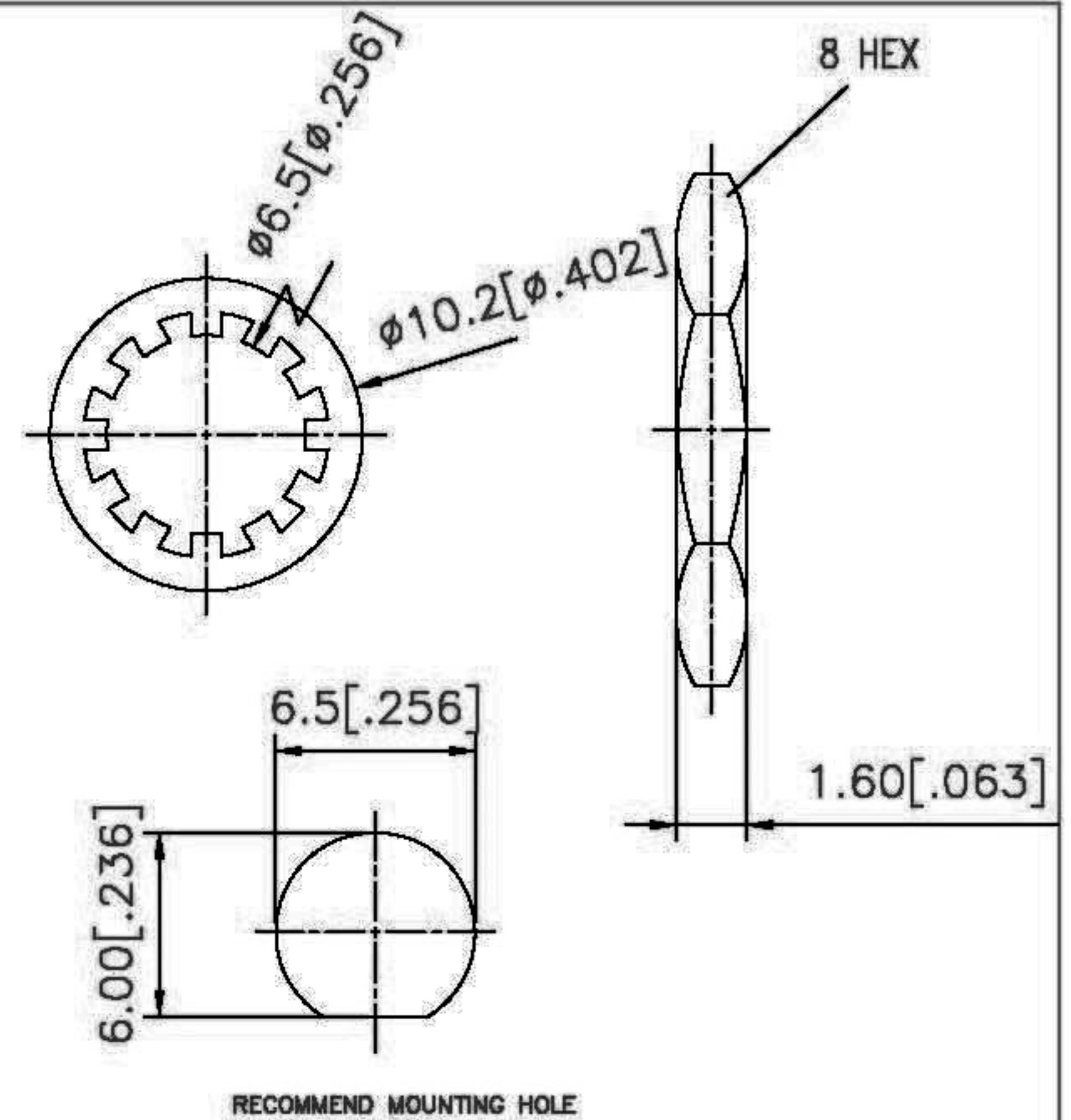
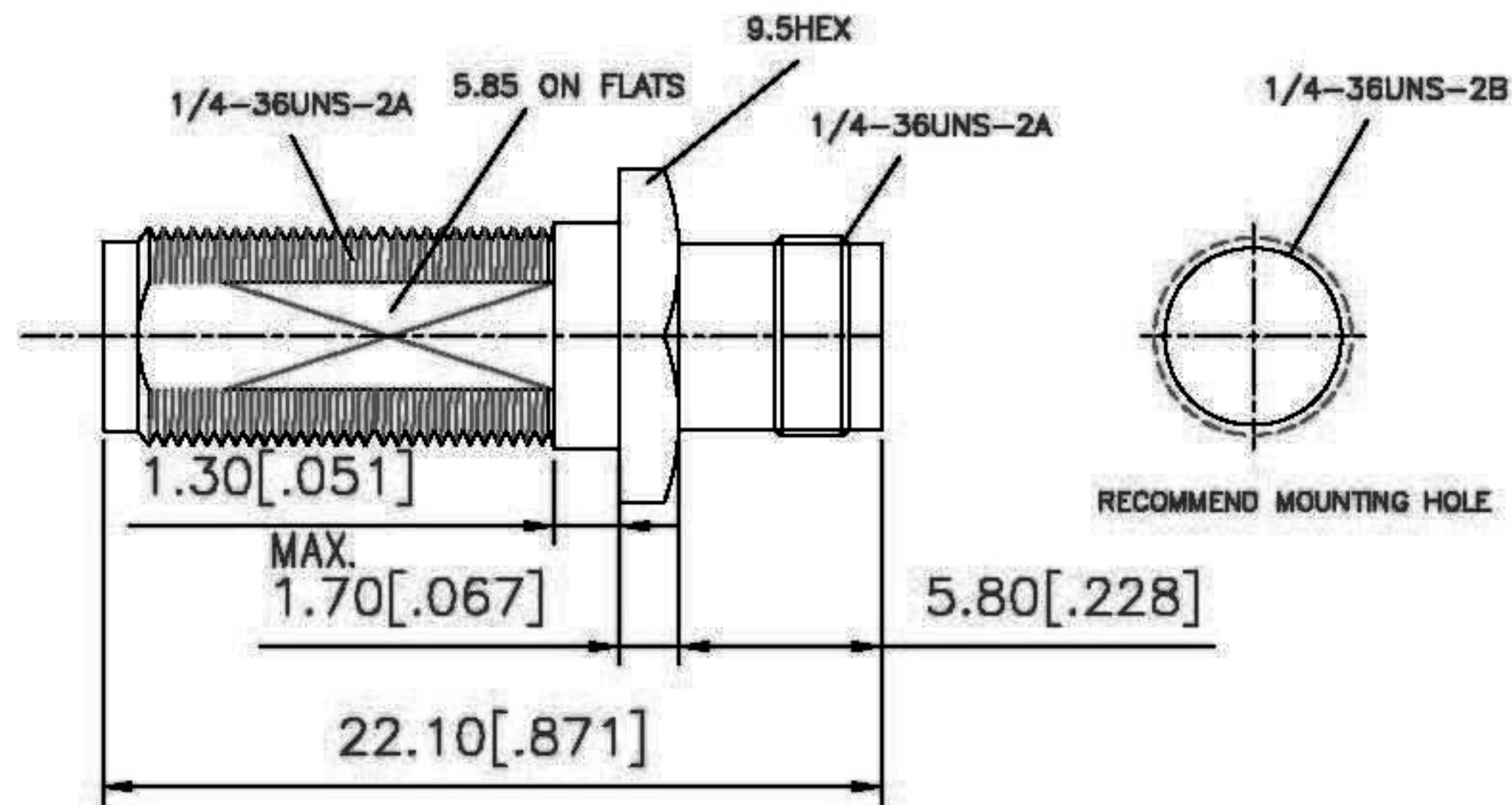


EDITION	DESCRIPTION	DRAWN	DATE
	ADD NOTES AND MOUNTING HOLE		04/08/01
	UPDATE DRAWING FORMAT		04/31/03



NOTE:

1. MAX. PANEL THICKNESS=6.5mm  
MIN. PANEL THICKNESS=2mm



TITLE SMA BULKHEAD FEMALE TO FEMALE ADAPTOR

Edt Code. SMAFBSSMAFADP5000-1

CHECKED J. Lin

DRAWER Eddie

TOLERANCES

DIMENSIONS ARE IN MILLIMETER

UNLESS OTHERWISE SPECIFIED  
TOLERANCES FOR INCHES ARE  
0.5-8mm±0.2mm  
8-30mm±0.1mm  
30-120mm±0.05mm  
UNLESS OTHERWISE SPECIFIED  
TOLERANCES FOR INCHES ARE  
.020-.315=±0.007"  
.315-1.180=±0.015"  
1.180-4.724=±0.020"

FILE NO. C: EDITION: A DATE 04/31/03 SCALE NA UNIT MM

5	HEX PIN	1	BRASS	GOLD
4	LOCK WASHER	1	BRASS	GOLD
3	CONTACT PIN	1	BER.COPPER	GOLD
2	INSULATOR	1	TELON	NATURAL
1	Body	1	BRASS	GOLD
NO	Description	Qty	Material	Finish