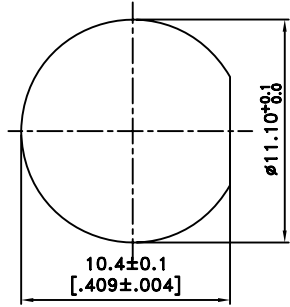
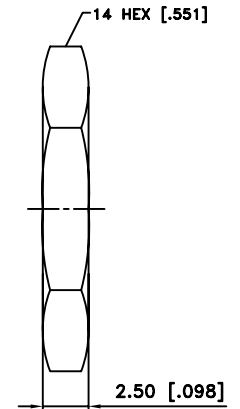
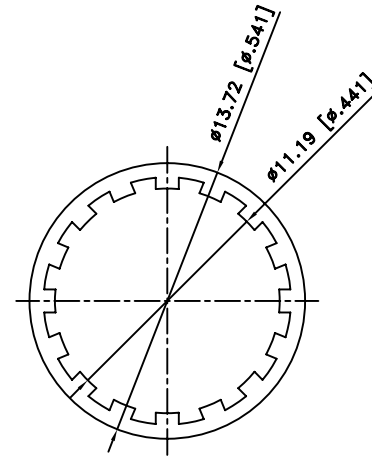
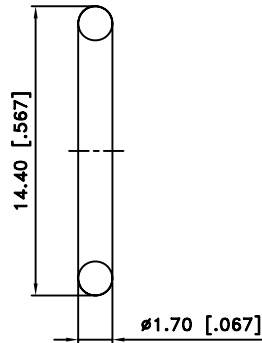
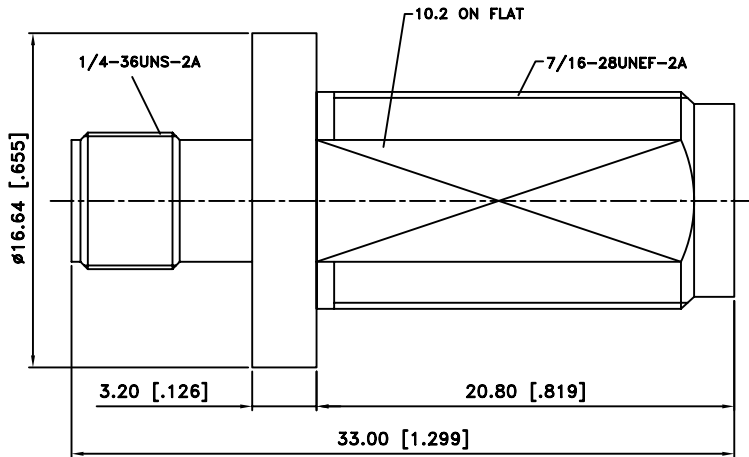


EDITION	DESCRIPTION	DRAWN	DATE
	INITIAL RELEASE		10/14/01
	ADD TOLERANCES TO MOUNT HOLE DIMENSIONS		03/26/09



RECOMMENDED MOUNTING HOLE



 ChoiceRight Electronic Inc

TITLE SMA FEMALE TO TNC BULKHEAD FEMALE ADAPTOR CHECKED J. Lin

Edt Code: SMAFBSTNCFADP5000-1 DRAWER Eddie

FILE NO. D:\ EDITION: B DATE 03/26/09

TOLERANCES			
DIMENSIONS ARE IN MILLIMETER			
UNLESS OTHERWISE SPECIFIED ARE IN MILLIMETERS			
INDICATED BY () ARE IN INCH ARE FOR CUSTOMER REFERENCE ONLY.			
UNLESS OTHERWISE SPECIFIED TOLERANCES FOR MILLIMETER ARE:			
0.5	- 0.25mm	± 0.20mm	
0.5	- 0.25mm	± 0.40mm	
20	- 125mm	± 0.50mm	
UNLESS OTHERWISE SPECIFIED TOLERANCES FOR INCH ARE:			
.020	- .010	± 0.007"	
.010	- 1.100	± 0.010"	
1.100	- 4.750	± 0.020"	

SCALE	NA	UNIT	MM

NO	Description	Q'ty	Material	Finish
6	LOCK WASHER	1	PHOS.BRONZE	NICKEL
5	GASKET	1	SILICONE	RED
4	HEX NUT	1	BRASS	NICKEL
3	CONTACT PIN	1	BER.COPPER	GOLD
2	INSULATOR	1	PTFE	NATURAL
1	BODY	1	BRASS	NICKEL