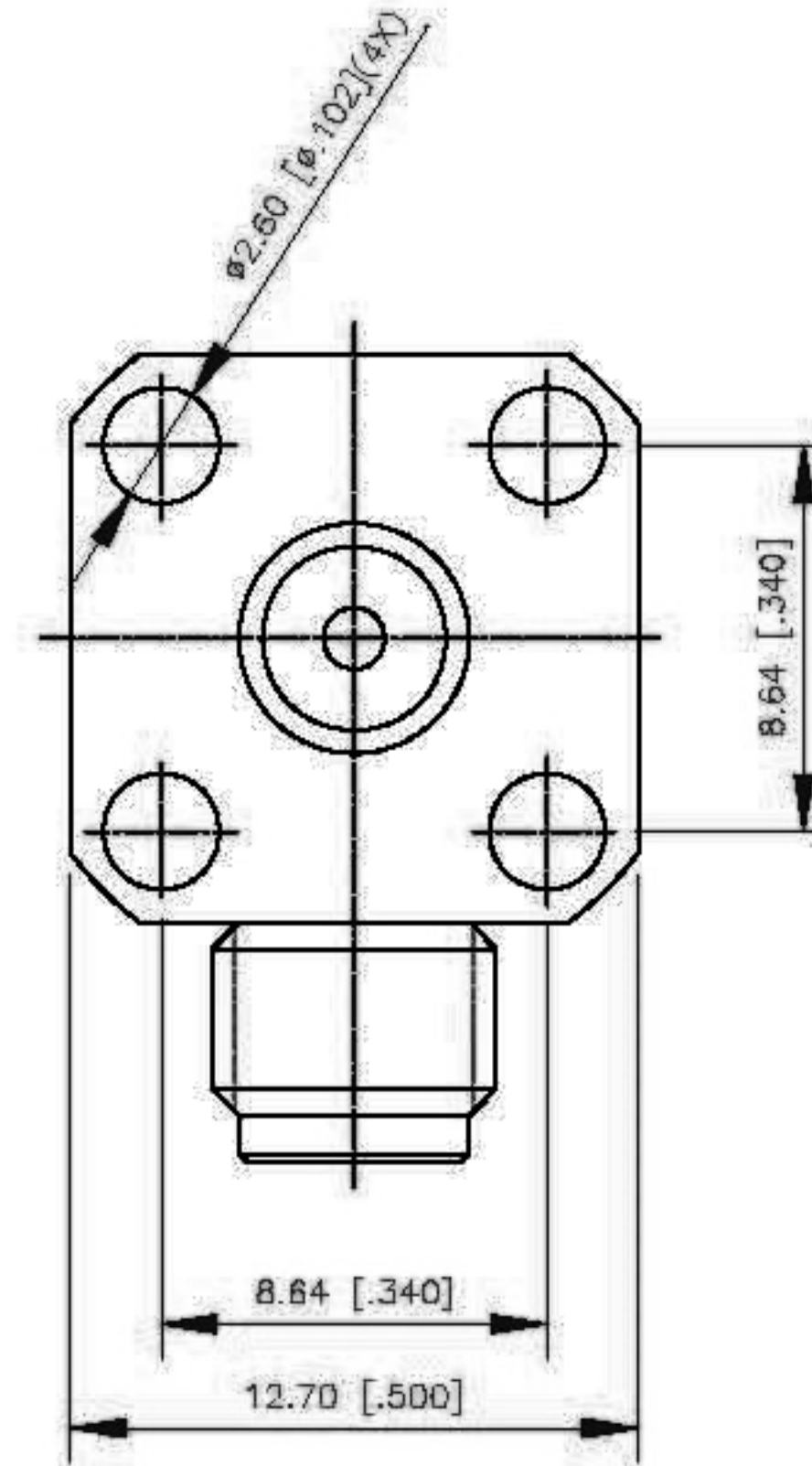
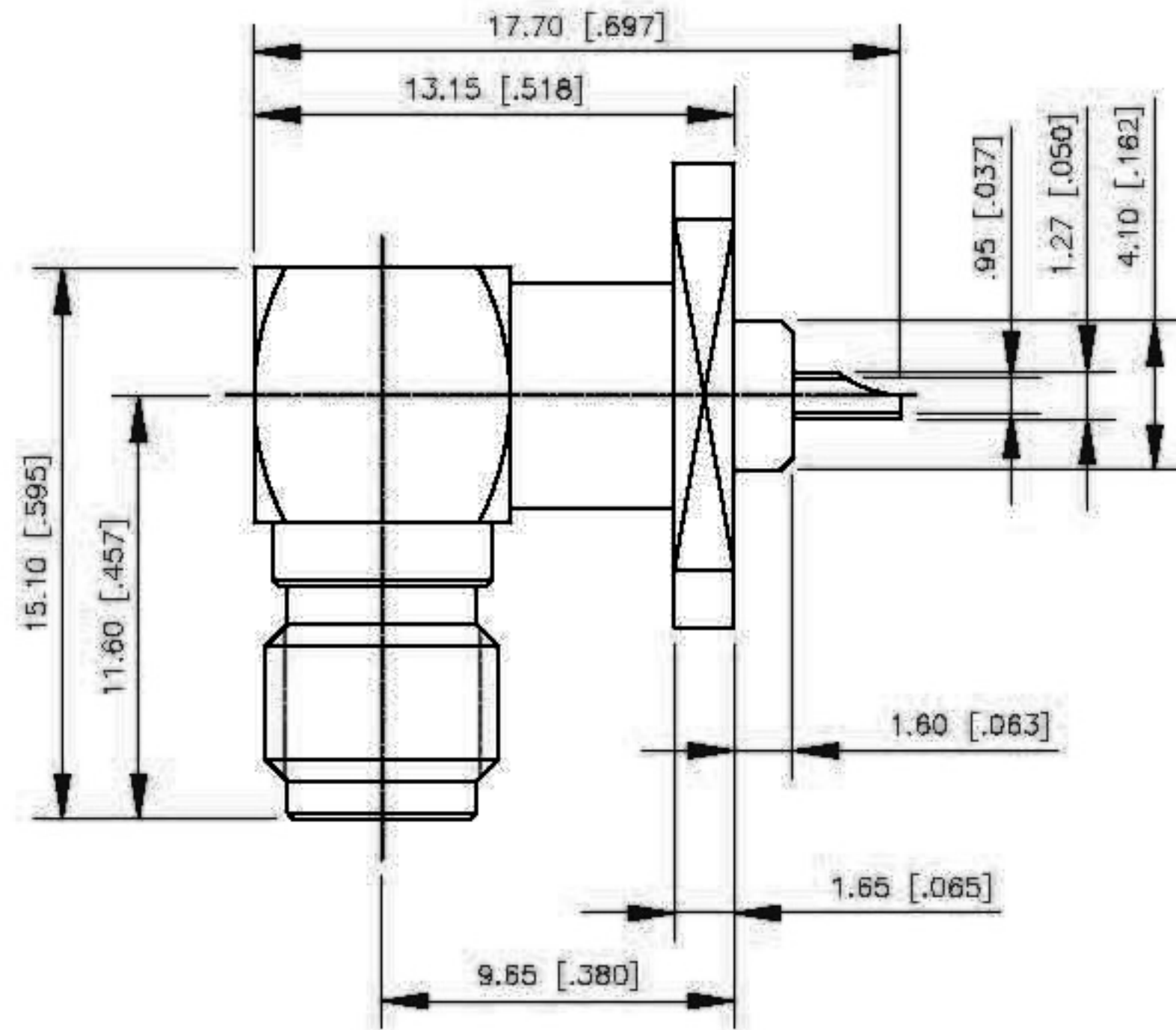


EDITION	DESCRIPTION	DRAWN	DATE
	INITIAL RELEASE		08/01/99
	UPDATE DRAWING FORMAT		04/29/07



TITLE SMA R/A PANEL ADAPTER

Edt Code: SMAFR009085000-1

FILE NO. C:

CHECKED J. Lin

DRAWER Eddie

EDITION: A DATE 04/29/07

TOLERANCES
 DIMENSIONS ARE IN MILLIMETER
 UNLESS OTHERWISE SPECIFIED
 TOLERANCES FOR INCHES ARE
 0.5-8mm±0.20mm
 8-30mm±0.40mm
 30-120mm±0.50mm
 UNLESS OTHERWISE SPECIFIED
 TOLERANCES FOR INCHES ARE
 .020-.315=±0.007"
 .315-1.180=±0.015"
 1.180-4.724=±0.020"

SCALE 2:1 UNIT MM

6	COVER	1	BRASS	GOLD
5	RING	1	BRASS	GOLD
4	CONTACT PIN	1	BRASS	GOLD
3	INSULATOR	1	TEFLON	NATURAL
2	CONTACT PIN	1	BER COPPER	GOLD
1	BODY	1	BRASS	GOLD
NO	Description	Qty	Material	Finish