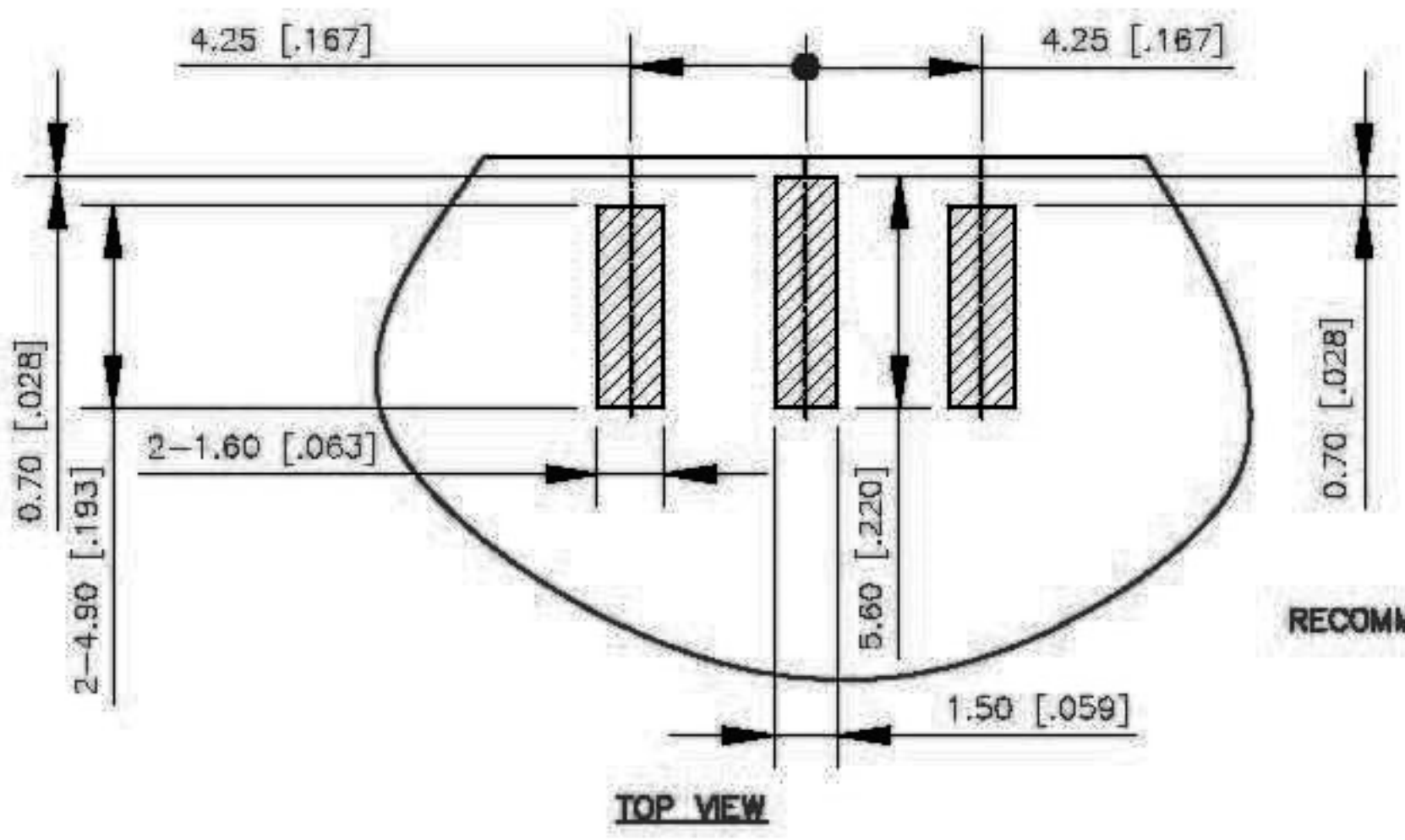
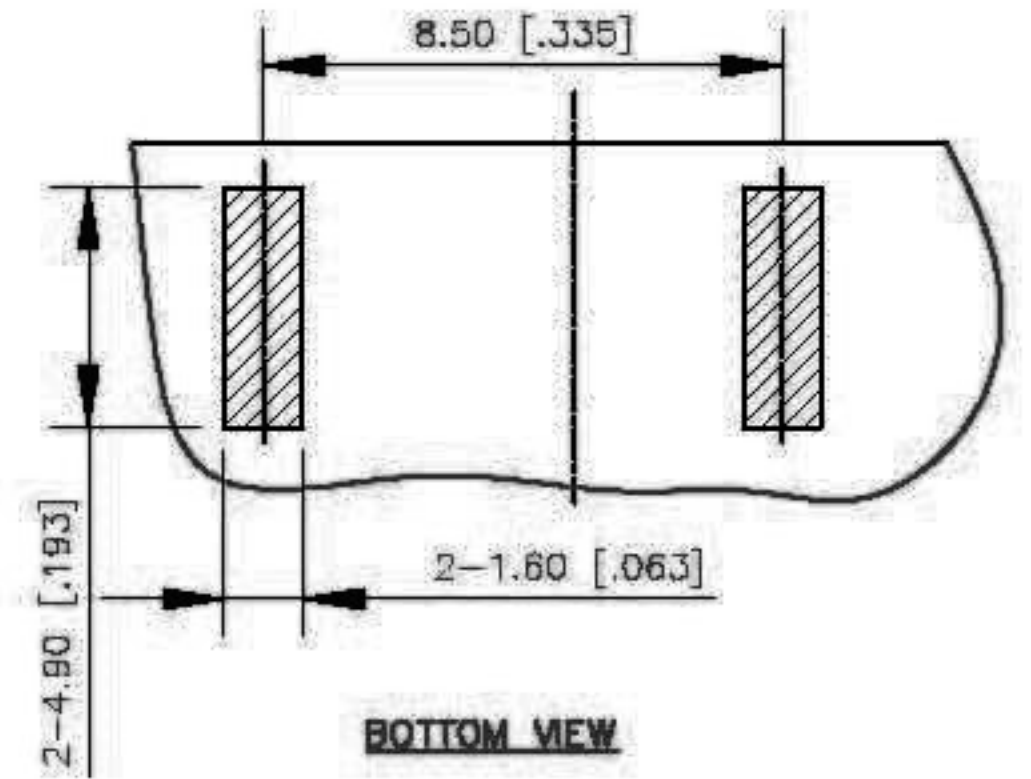


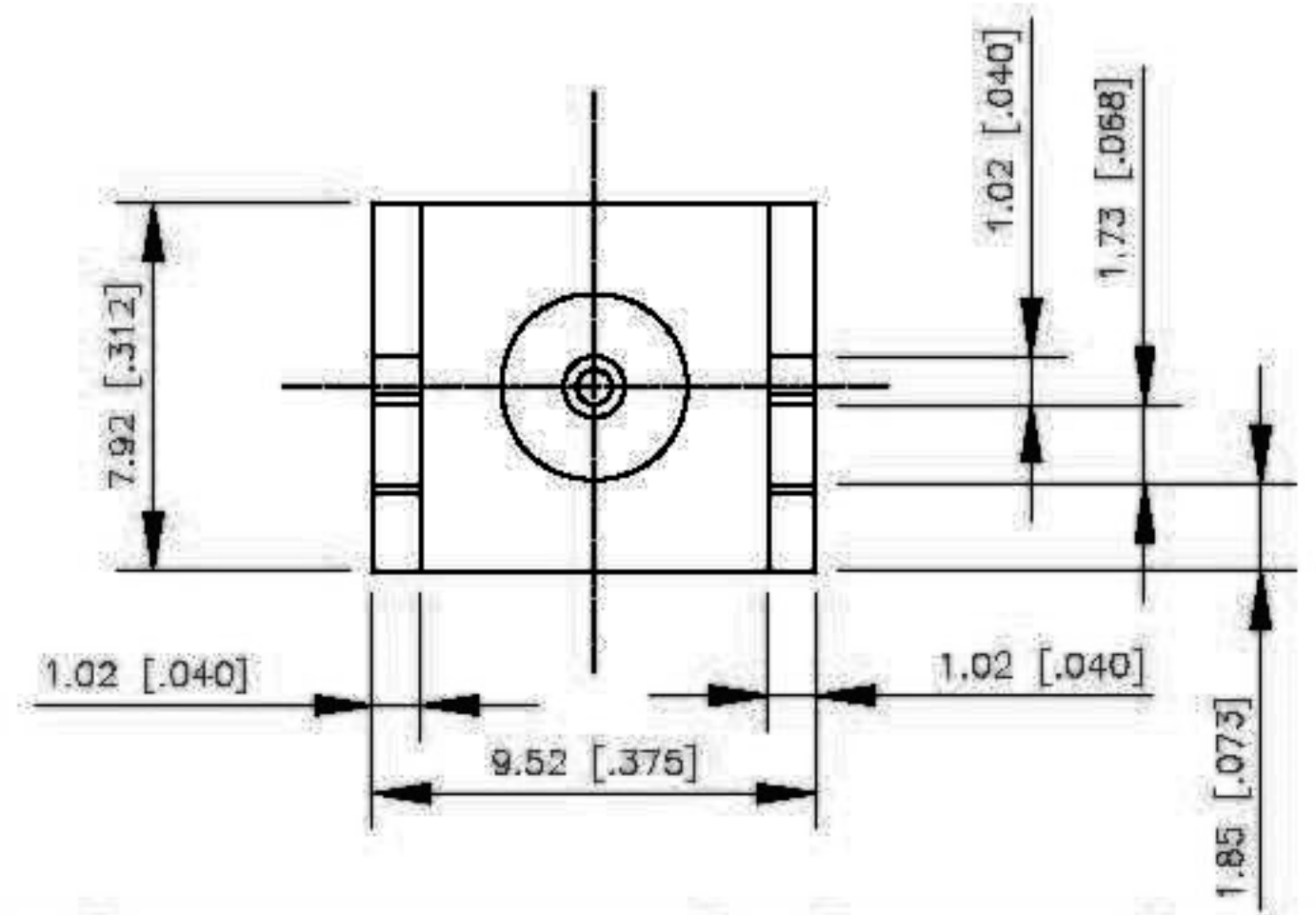
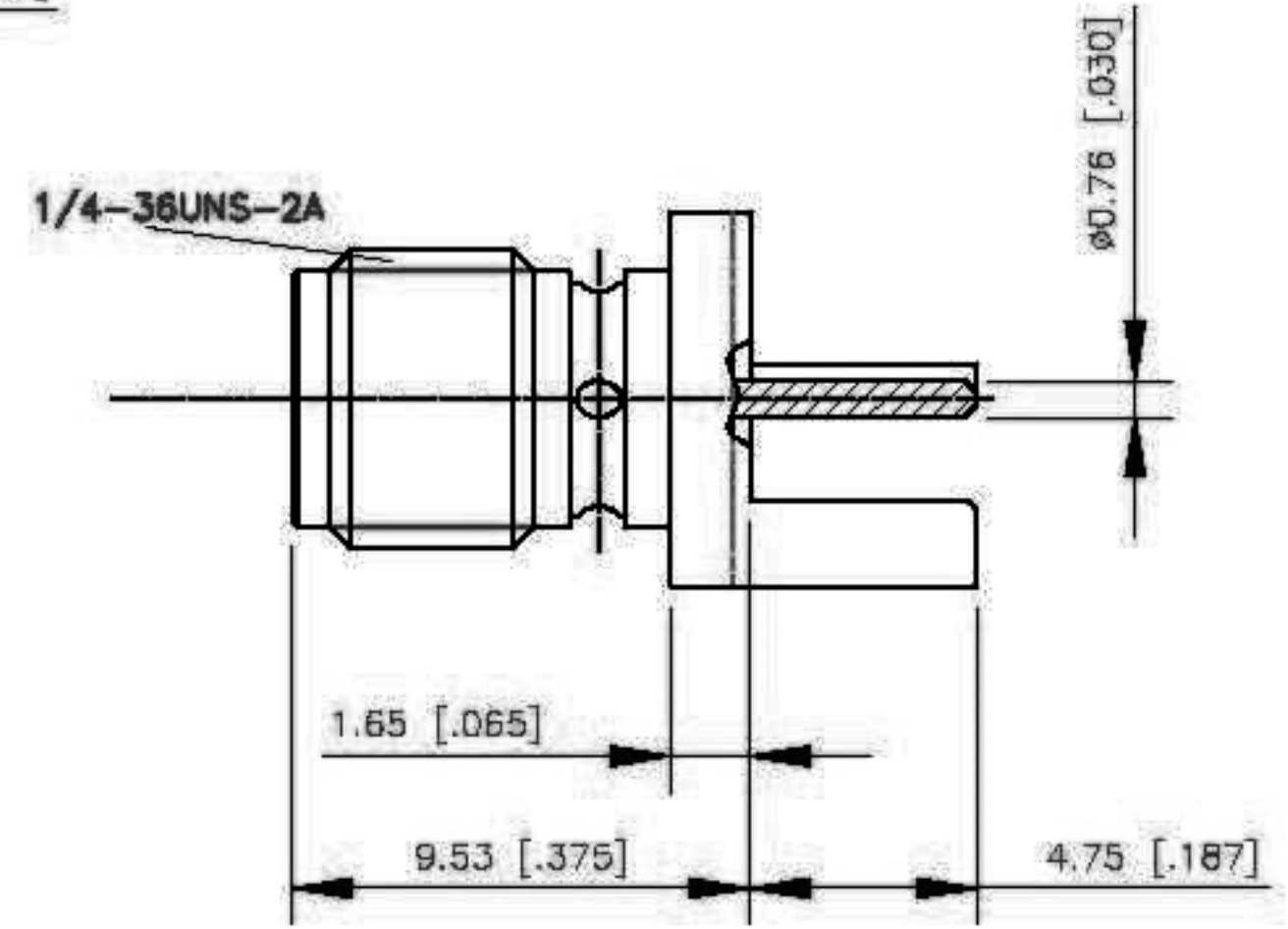
EDITION	DESCRIPTION	DRAWN	DATE
	INITIAL RELEASE		10/29/98
	UPDATE DRAWING FORMAT		08/13/06
	ADD PCB LAYOUT AND NOTES		07/29/11



RECOMMENDED PCB LAYOUT



BOTTOM VIEW



1. IMPEDANCE: 50 OHM
2. FREQUENCY RANGE: DC 0-18 GHZ
3. VSWR: 1.3 MAX.
4. DIELECTRIC WITHSTANDING VOLATGE: 1000 VRMS, MIN.
5. BOARD THICKNESS=1.57 MM [.062"]



TOLERANCES	
DIMENSIONS ARE IN MILLIMETER	
UNLESS OTHERWISE SPECIFIED TOLERANCES FOR INCHES ARE	
0.5-8mm	±0.20mm
8-30mm	±0.40mm
30-120mm	±0.50mm
UNLESS OTHERWISE SPECIFIED TOLERANCES FOR INCHES ARE	
.020-.315	±0.007"
.315-1.180	±0.015"
1.180-4.724	±0.020"

TITLE SMA END LAUNCH RECEPT. JACK RIBBED FLANGE (.062" BOARD THICKNESS)

CHECKED J. Lin

Edt Code. SMAFS014045000-1

DRAWER Eddie

FILE NO. C: EDITION: A DATE 07/29/11

SCALE 2:1 UNIT MM

NO	Description	Qty	Material	Finish
3	CONTACT PIN	1	BERYLLIUM COPPER	GOLD
2	INSULATOR	1	PTFE	NATURAL
1	BODY	1	BRASS	GOLD