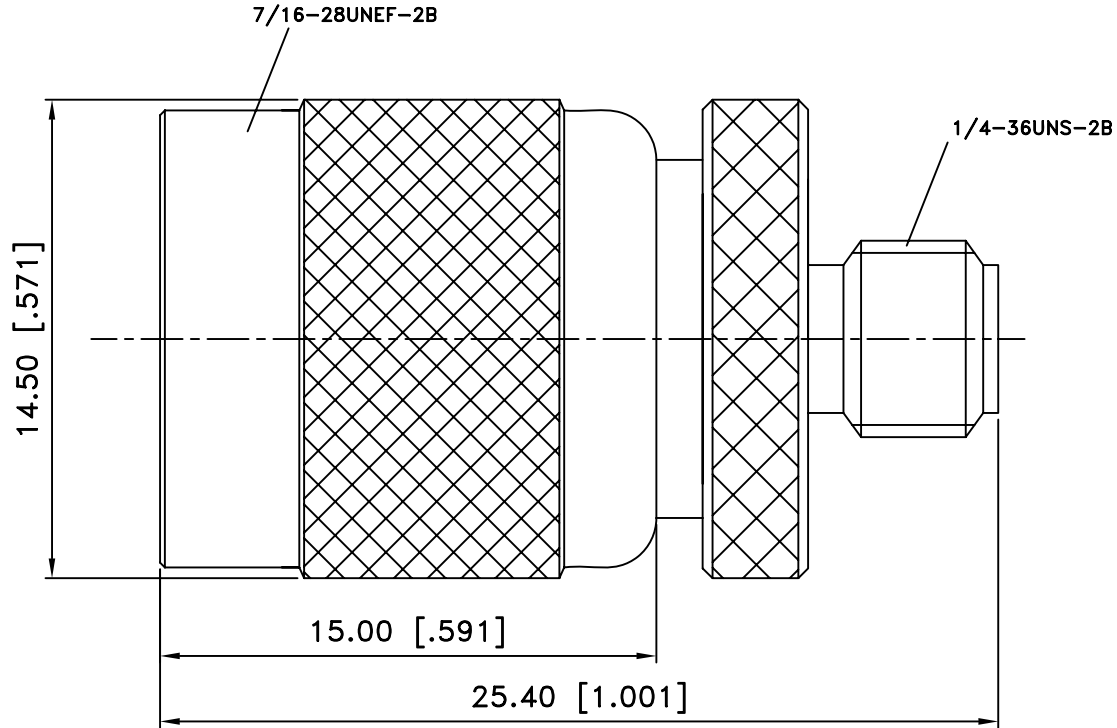


EDITION	DESCRIPTION	DRAWN	DATE
	INITIAL RELEASE		01/08/97
	UPDATE DRAWING FORMAT		07/28/06



ChoiceRight Electronic Inc

TOLERANCES

DIMENSIONS ARE IN MILLIMETER

UNLESS OTHERWISE SPECIFIED ARE IN MILLIMETERS
DIMENSIONS IN [] ARE IN INCH AND FOR CUSTOMER
REFERENCE ONLY.

UNLESS OTHERWISE SPECIFIED TOLERANCES FOR
MILLIMETER ARE:

0.5 - 8mm ± 0.20mm
8 - 30mm ± 0.40mm
30 - 120mm ± 0.50mm

UNLESS OTHERWISE SPECIFIED TOLERANCES FOR
INCHS ARE:

.020 - .315 = ± 0.007"
.315 - 1.180 = ± 0.015"
1.180 - 4.724 = ± 0.020"

TITLE SMA FEMALE TO TNC MALE ADAPTOR	CHECKED J. Lin
Edit Code. SMAFSTNCMADP5000-1	DRAWER Eddie
FILE NO.D:\	EDITION: B DATE 07/28/06

SCALE	NA	UNIT	MM

3	CONTACT PIN	1	BRASS	GOLD
2	INSULATOR	1	TEFLON	NATURAL
1	BODY	1	BRASS	NICKEL
NO	Description	Q'ty	Material	Finish