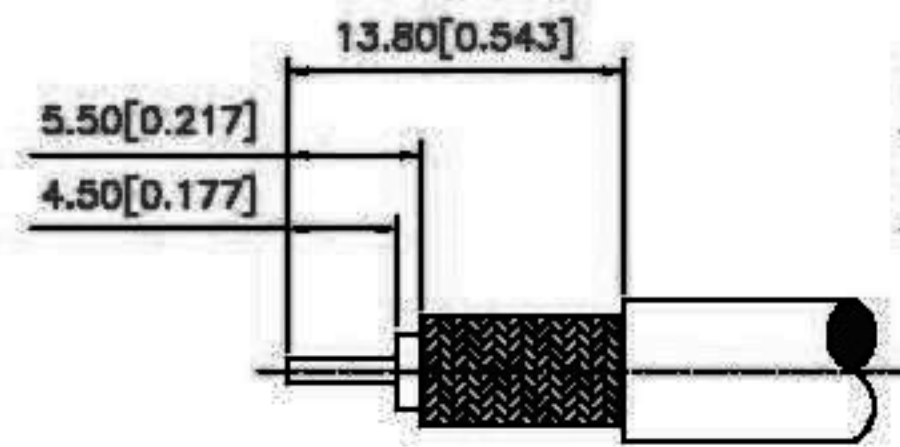
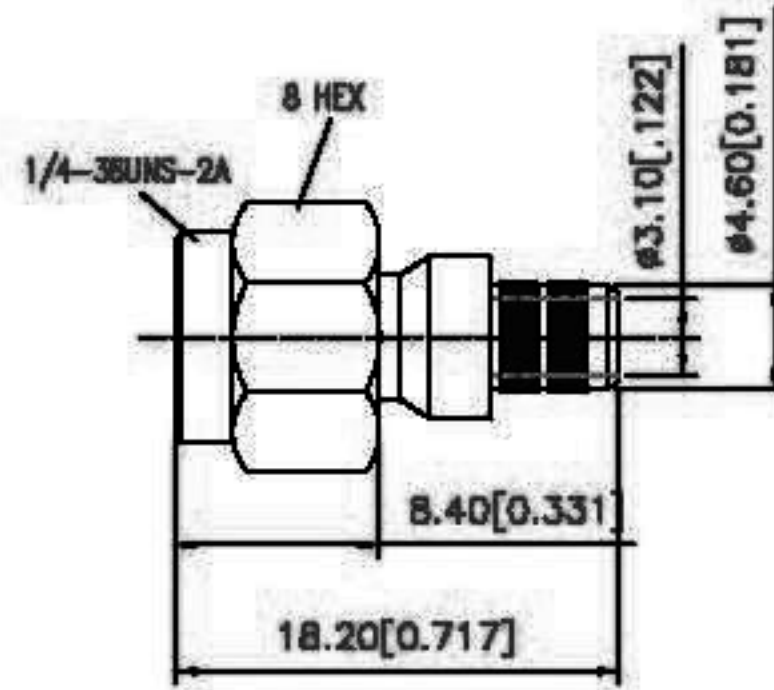
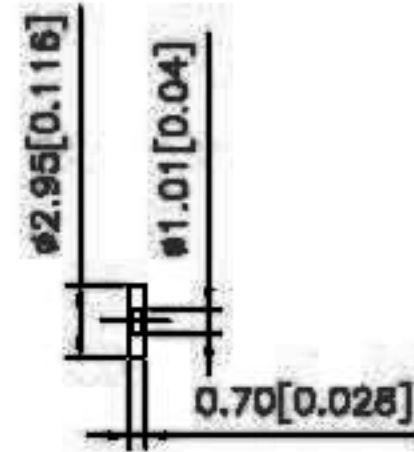
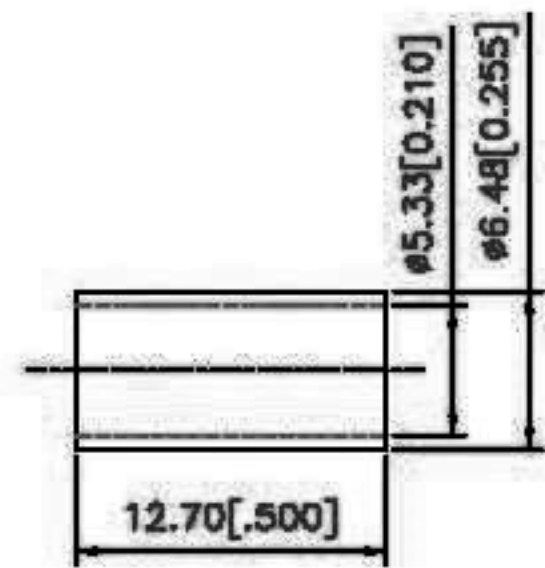
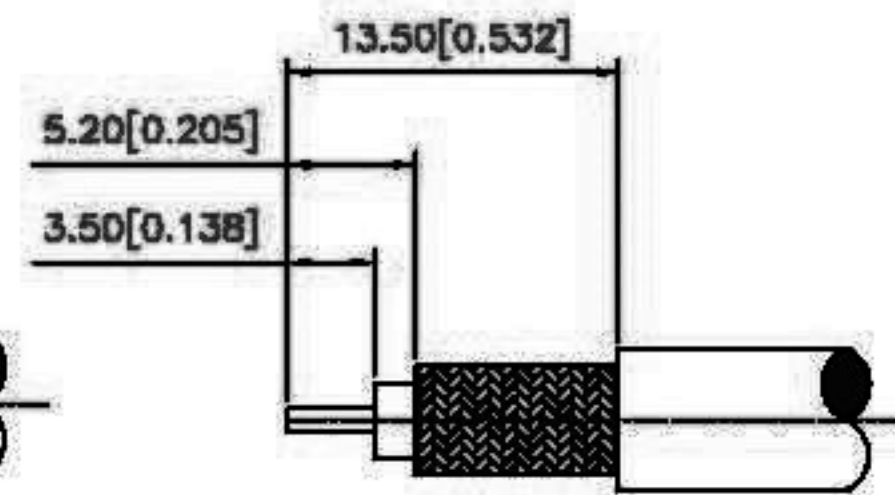
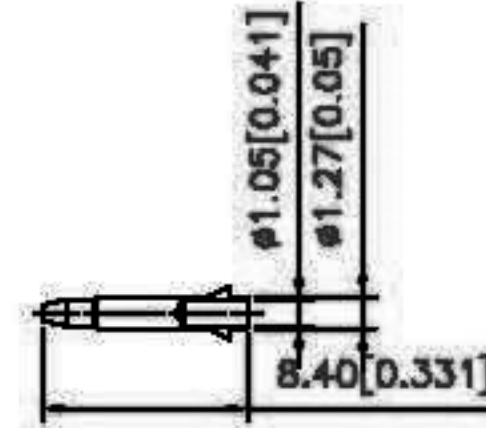


EDITION	DESCRIPTION	DRAWN	DATE
	RELEASE TO MFG		05/08/11
	ECR 2209		10/08/11
ADD SPACER.ADDITIONAL STRIPPING			05/08/11
DIMENSIONS AND NOTES			



RECOMMENDED CABLE STRIPPING DIMENSIONS "B"



RECOMMENDED CABLE STRIPPING DIMENSIONS "A"



TITLE BNC STRAIGHT PLUG FOR RG-58C/U, 58/U, LMR-195 CABLE

EdIt Code: SMAMS00101F5000-1

CHECKED J. Lin

DRAWER Eddie

TOLERANCES

DIMENSIONS ARE IN MILLIMETER

UNLESS OTHERWISE SPECIFIED
TOLERANCES FOR INCHES ARE
0.5-8mm±0.2mm
8-30mm±0.1mm
30-120mm±0.05mm
UNLESS OTHERWISE SPECIFIED
TOLERANCES FOR INCHES ARE
.020-.315=±0.007"
.315-1.180=±0.015"
1.180-4.724=±0.020"

FILE NO. C: EDITION: A DATE 03/06/13 SCALE NA UNIT MM

8	SPACER	1	PTFE	NATURAL
7	FERRULE	1	COPPER	GOLD
6	RETAINER RING	1	SUS 304	NATURAL
5	GASKET	1	SILICONE RUBBER	GOLD
4	SHELL	1	BRASS	GOLD
3	CONTACT PIN	1	BRASS	GOLD
2	INSULATOR	1	PTFE	NATURAL
1	Body	1	BRASS	GOLD
NO	Description	Q'ty	Material	Finish