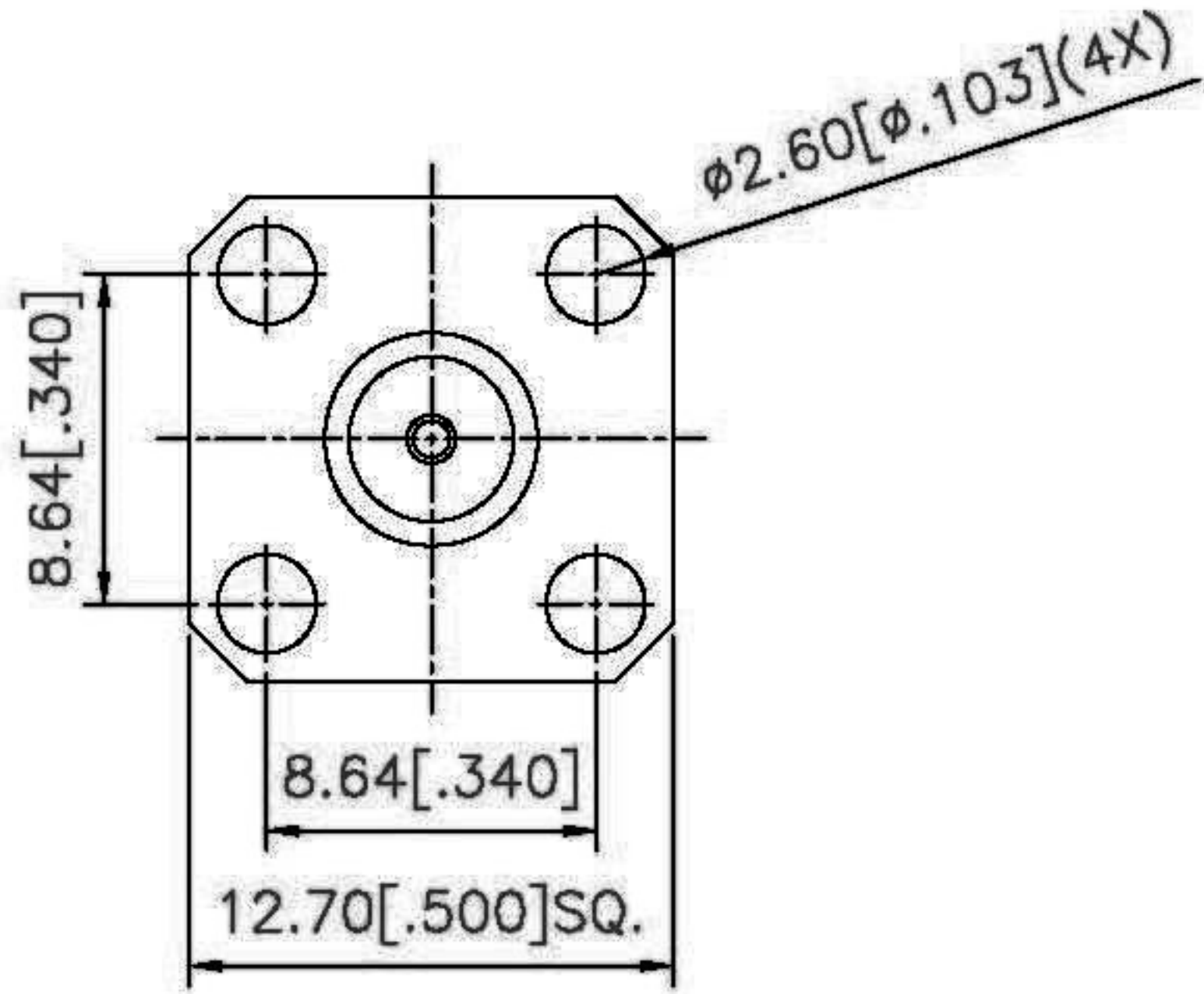
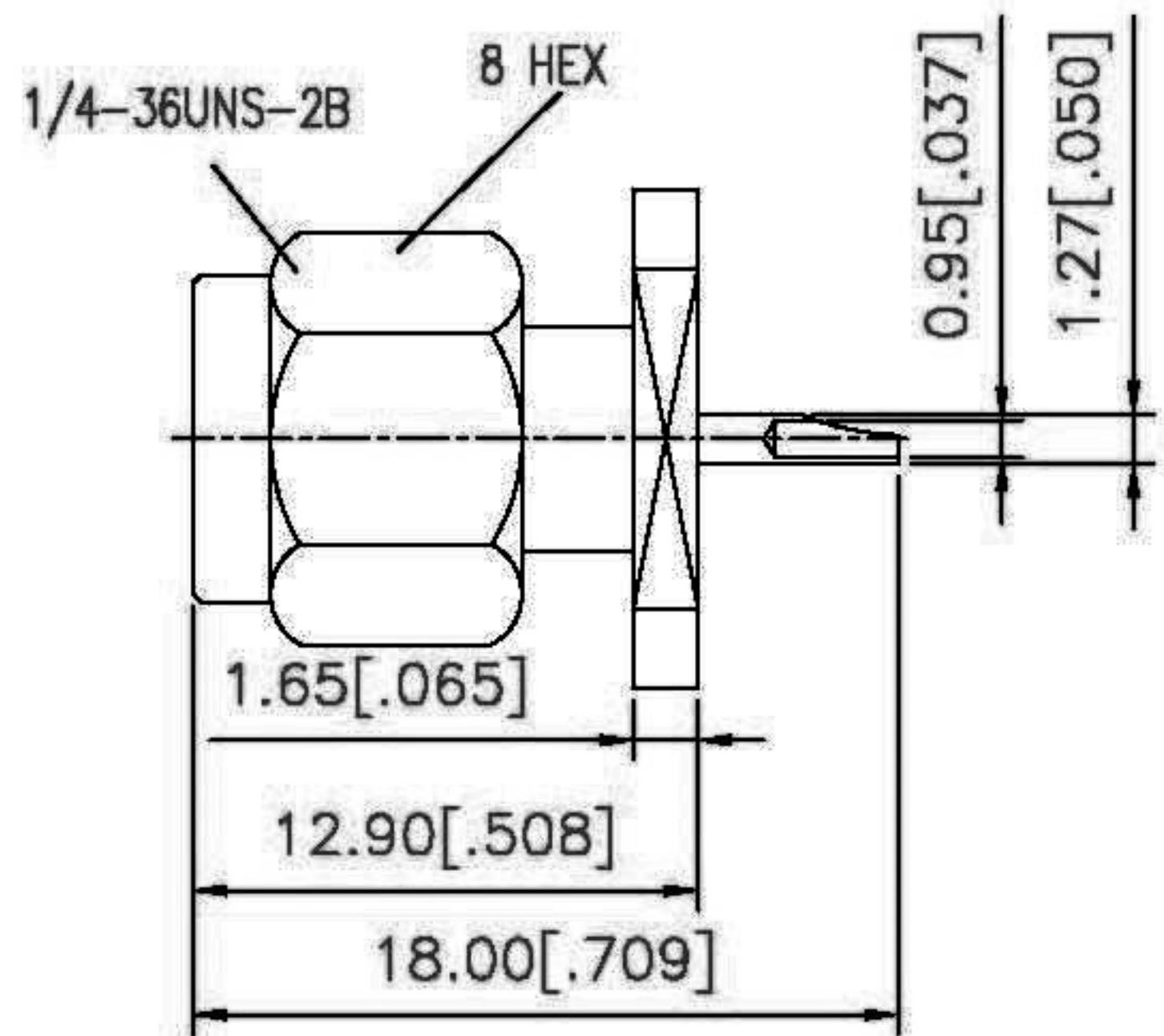


EDITION	DESCRIPTION	DRAWN	DATE
	INITIAL RELEASE		05/31/08



TITLE SMA PANEL RECEPTACLE PLUG
 Edit Code: SMAMS009015000-1
 FILE NO. C:

CHECKED J. Lin
 DRAWER Eddie
 EDITION: A DATE 05/31/06

TOLERANCES					
DIMENSIONS ARE IN MILLIMETER					
UNLESS OTHERWISE SPECIFIED TOLERANCES FOR INCHES ARE 0.5-8mm±0.2mm 8-30mm±0.1mm 30-120mm±0.05mm UNLESS OTHERWISE SPECIFIED TOLERANCES FOR INCHES ARE .020-.315=±0.007" .315-1.180=±0.015" 1.180-4.724=±0.020"					
SCALE	NA	UNIT	MM		

NO	Description	Qty	Material	Finish
3	CONTACT PIN	1	BRASS	GOLD
2	INSULATOR	1	TEFLON	NATURAL
1	BODY	1	BRASS	NICKEL