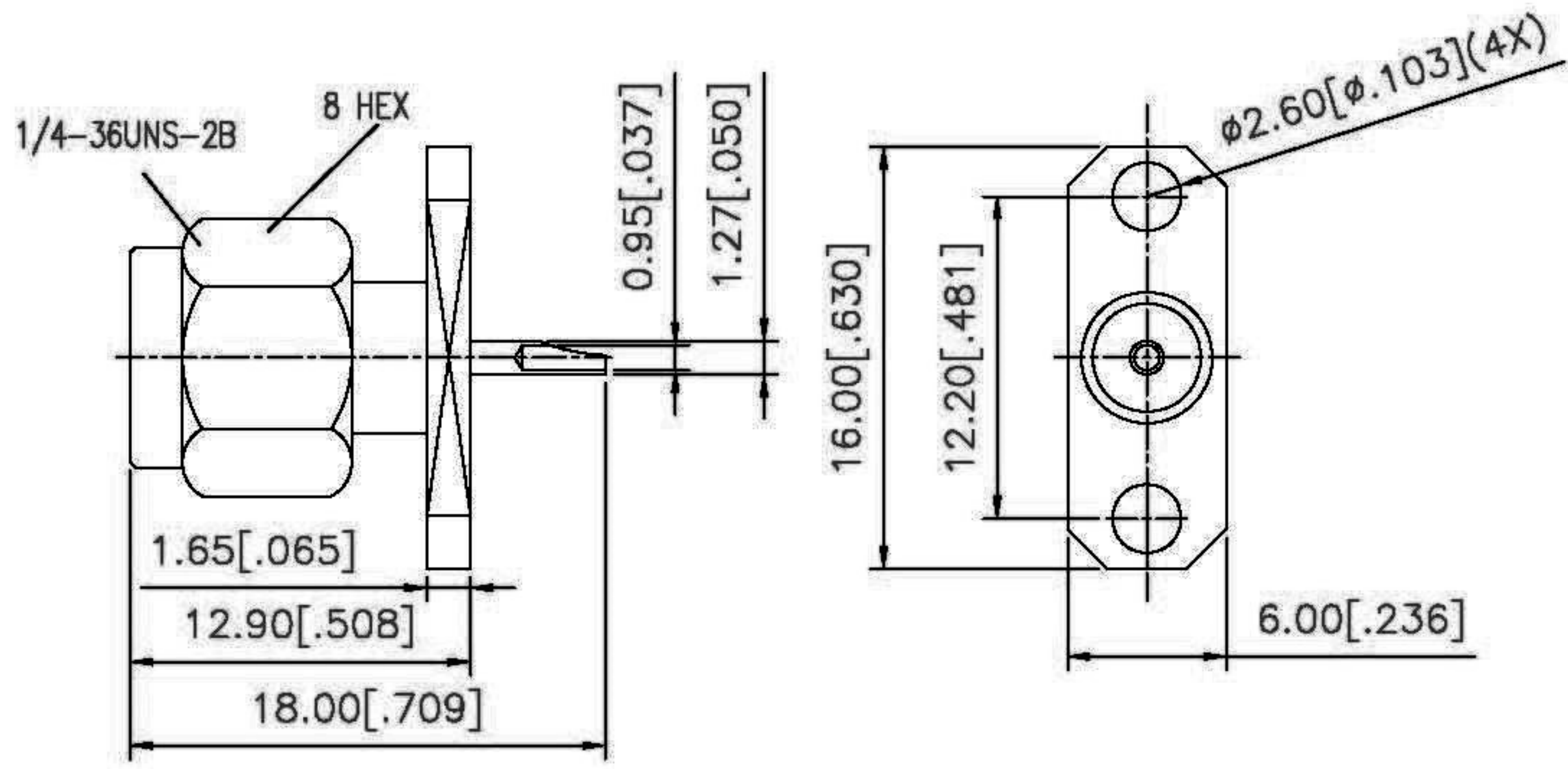


EDITION	DESCRIPTION	DRAWN	DATE
	INITIAL RELEASE		09/07/08



TOLERANCES	
DIMENSIONS ARE IN MILLIMETER	
UNLESS OTHERWISE SPECIFIED TOLERANCES FOR INCHES ARE 0.5-8mm ±0.2mm 8-30mm ±0.1mm 30-120mm ±0.05mm	
UNLESS OTHERWISE SPECIFIED TOLERANCES FOR INCHES ARE .020-.315 ±0.007" .315-1.180 ±0.015" 1.180-4.724 ±0.020"	

TITLE	SMA PANEL RECEPTACLE SOLDER POT CONTACT
EdIt Code.	SMAMS009025000-1
FILE NO. C:	

CHECKED	J. Lin
DRAWER	Eddie
EDITION: A	DATE 09/07/08

SCALE	NA	UNIT	MM
-------	----	------	----

NO	Description	Q'ty	Material	Finish
3	CONTACT PIN	1	BER. COPPER	GOLD
2	INSULATOR	1	PTFE	NATURAL
1	BODY	1	BRASS	GOLD